

CLEAN ROOM Grid system



ISO 4 Clean room

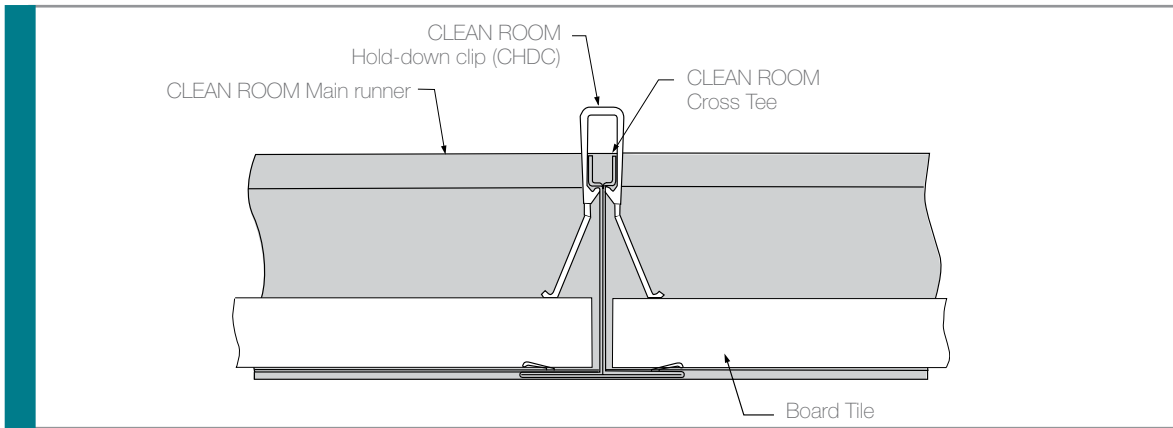
Protection against Biocontamination

Resistance to disinfectants

- **ISO 4 Clean Room** performance for CLEAN ROOM grid (tested against ISO 14644-1).
- Unique, factory applied gasket for a **better seal** between tile and grid.
- Reduces labour cost versus mastic or double sided tape.
- **Hold down clips** to ensure a good seal.
- The grid finish limits the accumulation of dust and micro-organisms (Kinetic of Decontamination test against NF S 90-351).
- CLEAN ROOM grid **prevents the build-up of bacteria, mould and yeast** (Bacteriological Cleanliness Class B1 according to NF S 90-351).
- CLEAN ROOM grid meets the requirements for use in Zone 4 according to NF S 90-351.

- **Corrosion resistance** due to the aluminium construction.
- Suitable for **MRI environments**.
- **Plastic hold down clip** for **MRI environments**.
- CLEAN ROOM grid can be cleaned with diluted **disinfectants** containing active agents such as Quaternary Ammonium, Hydrogen Peroxide and Chlorine.
- **24mm wide** for Board tiles, the best solution for clean rooms.

Installation instructions:

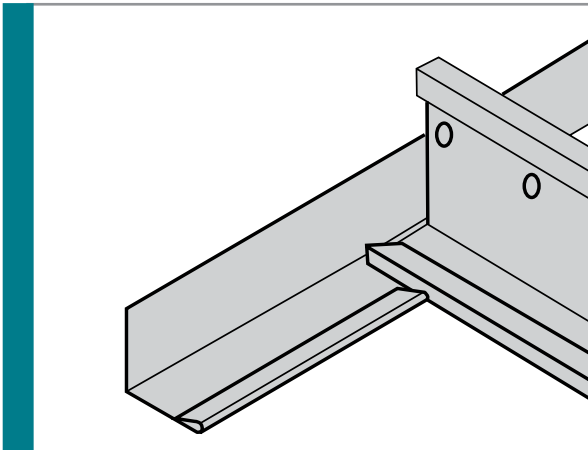


In case of high air pressure from below, hold-down clips need to be used to avoid uplift of tiles and to provide airtightness.

The PVC clip **CHDC** can be used in any space, including MRI environments.

The clips should be used with **15 to 18 mm** thick board tiles.

A **600 x 600** tile shall be fixed with **8 clips**, 2 on each side and a **1200 x 600** tile with **10 clips**, 3 on each long side and 2 on each short side.



Where the grid is laid on top of the perimeter trim, the gasket of the perimeter trim needs to be cut and removed.

Each perimeter tile shall be fixed with a minimum of **4 hold-down clips** for a **600 x 600** tile and **5 hold-down clips** for a **1200 x 600** tile.

If necessary, air tightness can be reinforced along the perimeter trim, especially where the grid meets the trim, by using silicone or mastic.

To obtain a tile that remains accessible from below, the steel access clip **A 426** can be used, except for MRI environments.



www.armstrong.eu