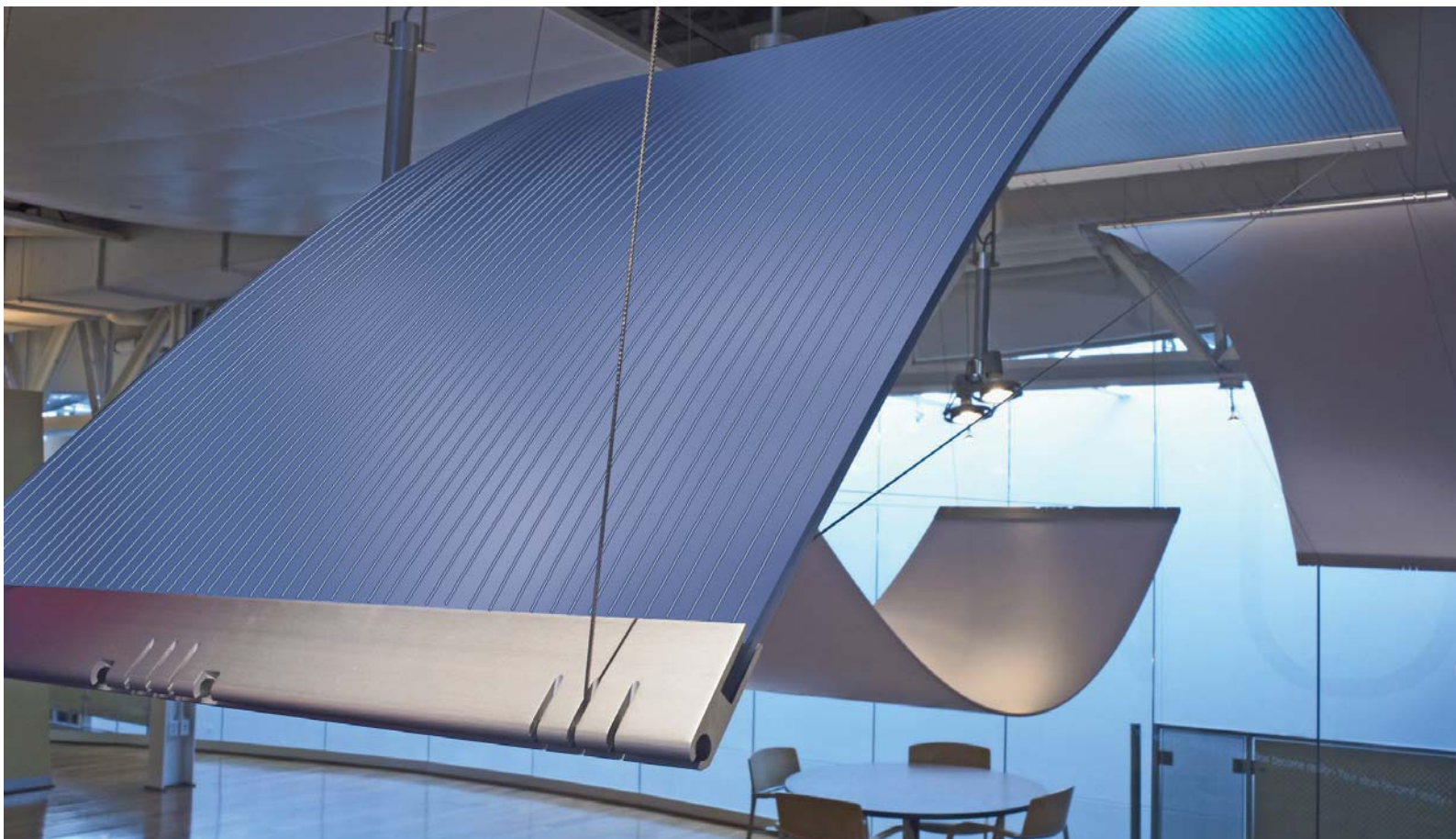


**CEILING** SYSTEMS

[ Between us, ideas become reality.]



**INFUSIONS™** Canopy

Acoustic performance meets High Design





# dream

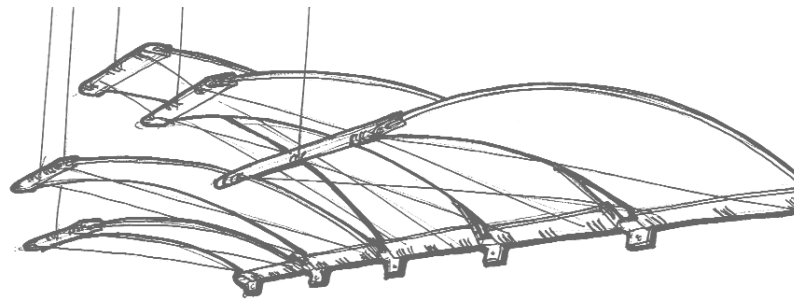
Accentuate an area. Direct the eye. Or provide a touch of intimacy, Infusions™ lets you express your creativity in a whole new dimension.

Anchored to the ceiling or wall with a uniquely simple cable system, Infusions hover in seeming defiance of gravity. Create sculptural configurations - from simple accents to signature statements - in a variety of interesting colours, sizes and textures. With Infusions you can achieve an exciting custom look using standard components.

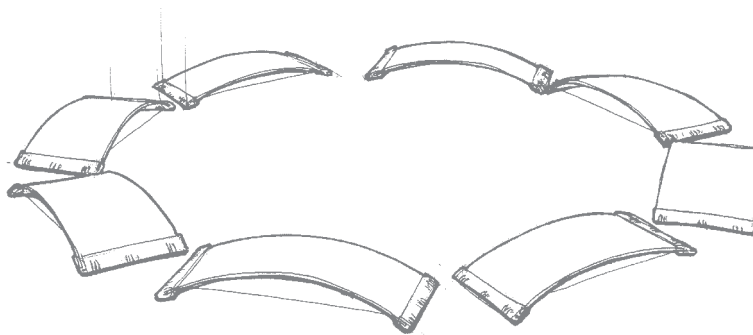
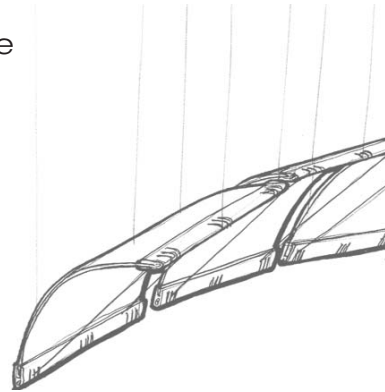
# express

There are so many ways to express yourself with Infusions. In addition to an array of materials, sizes, colours and textures - the placement, configuration and lighting options available make Infusions an invaluable tool for architects and interior designers alike. They are like three-dimensional building blocks that allow your creativity to soar.

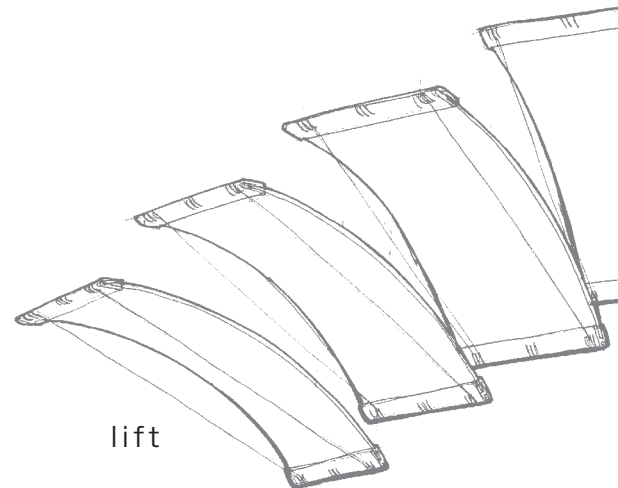
Available in 1525 mm and 1830 mm lengths and 610 mm wide, Infusions provide an ingenious way to define zones of various sizes for a variety of purposes - from offering a relaxing respite to affording a comfortable refuge to setting an idyllic mood.



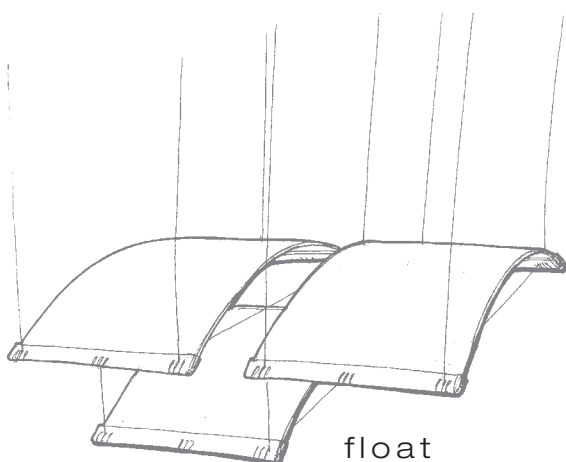
accentuate



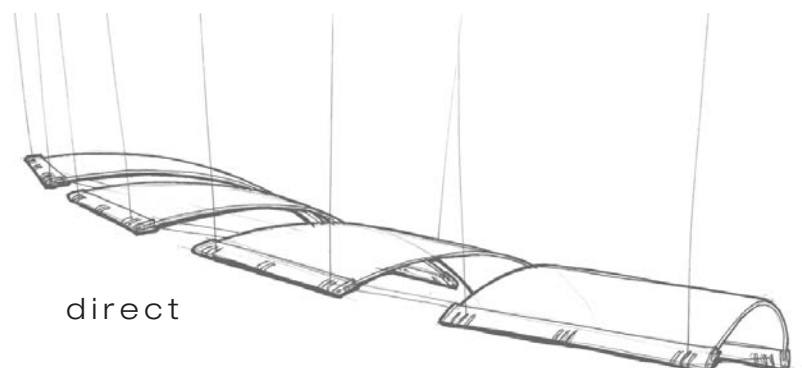
encircle



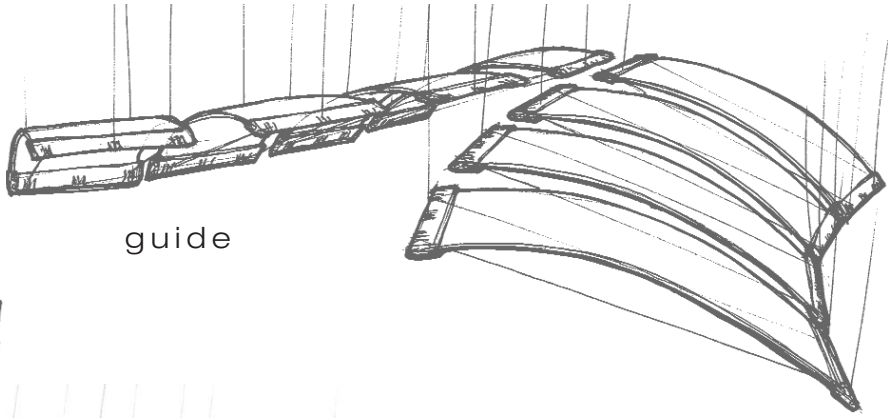
lift



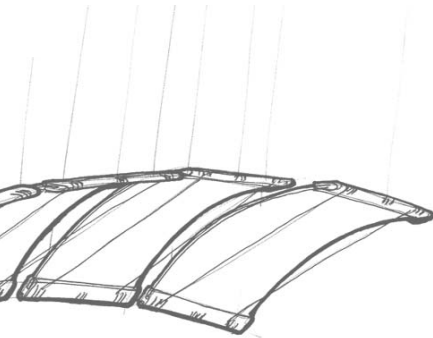
float



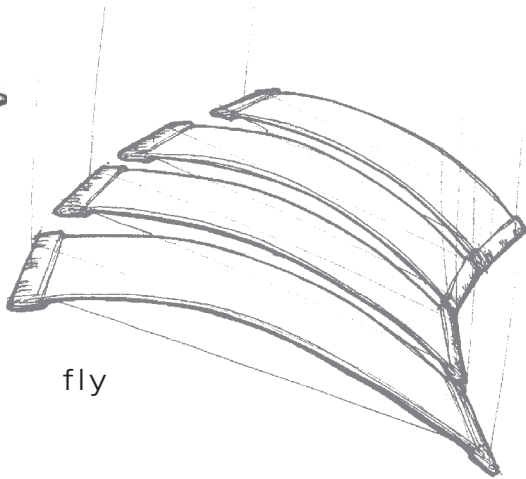
direct



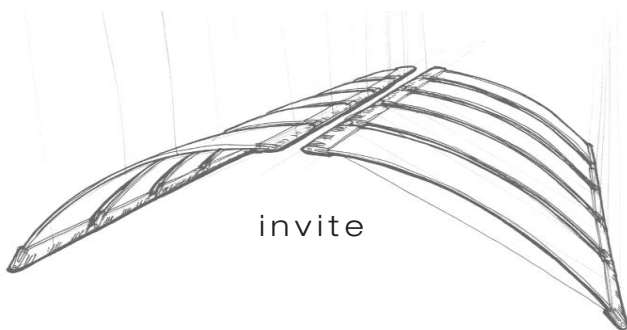
guide



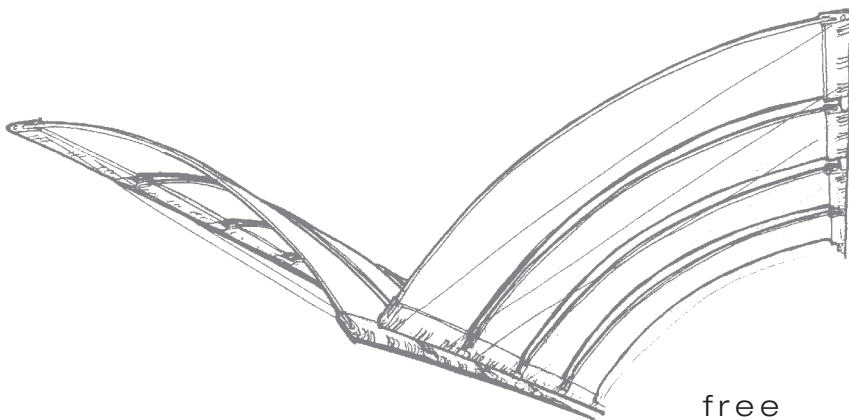
wrap



fly



invite



free

**Material:** Polycarbonate  
**Surface finish:** Smooth  
**Colours:** 6  
**Sizes:** 1525 mm x 610 mm  
 1830 mm x 610 mm  
**Edges:** Square

**Key selection attributes:**

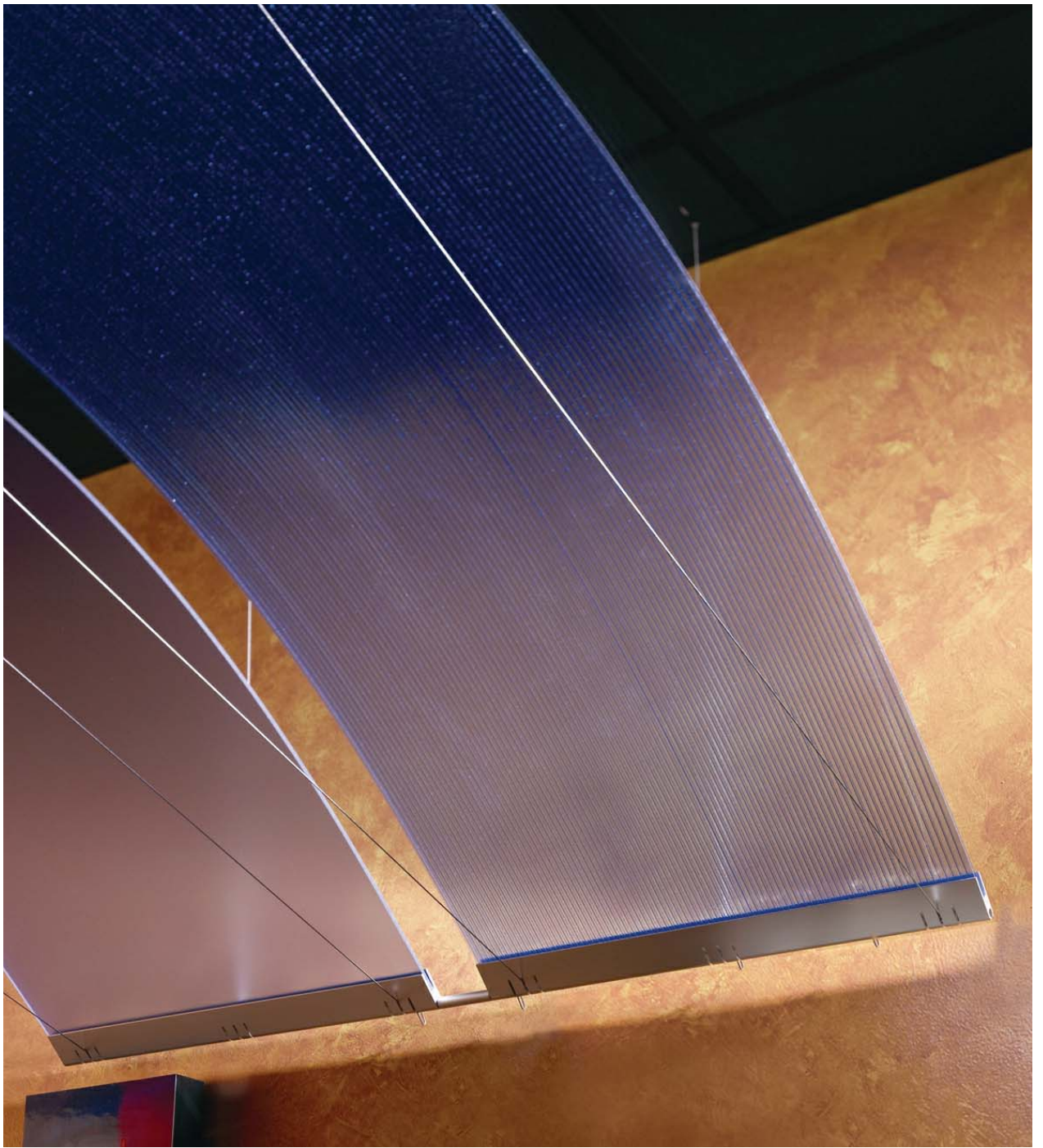
- Canopies can be used to define spaces, accentuate an area, provide focus, create ceiling sculptures
- Standard components allow for custom configurations
- Combine sizes, shapes, textures and finishes
- Use individually or in groups, convex or concave, radius 60 or 90 degrees
- Suspended from the ceiling plenum or wall with a simple cable system
- Lighting can enhance impact
- Durable, washable, scrubbable (non-abrasive cloth), impact resistant
- Fast and simple installation - no special tools required
- Easy-to-order kits provide all the hardware needed

Typical applications: High visibility and focus areas including hospitality, retail, offices, lobbies, atriums, open plenum areas, corridors, airports and transportation

Fire performance level: See Data Sheet

Above dimensions are approximate

Infusions accent canopies are typically made by infusing fabric of varying colour, texture and translucency between layers of polycarbonate resin



# accentuate

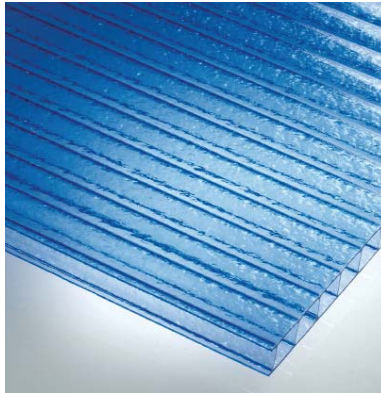
Infusions can help define or add visual interest to a small space in any environment. Its rhythmic sculptural form comes alive with different colours, configurations and lighting treatments. The possibilities are endless when using Infusions to accentuate your design ideas. Now it's easy to turn ordinary spaces into extraordinary places.



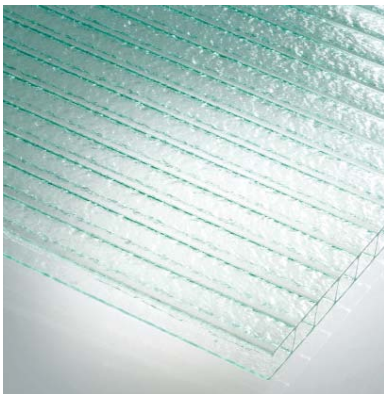
# INFUSIONS™ Canopy



Channelled Mist



Channelled Midnight



Channelled Caribbean



Channelled Intellect



Channelled Sunset



Channelled Vision

**United Kingdom**  
**Republic of Ireland**  
Armstrong World Industries Ltd.  
Building Products Division  
Armstrong House  
38 Market Square  
Uxbridge UB8 1NG  
**0800 371849 (UK)** **FREEPHONE**  
**1800 409002 (ROI)**  
Fax: 00 44 (0) 1895 274287  
[www.armstrong-ceilings.co.uk](http://www.armstrong-ceilings.co.uk)  
[sales-support@armstrong.com](mailto:sales-support@armstrong.com)

## Advisory note

All photographic and design elements supplied in this brochure do not necessarily reflect any recommendation by any of the companies named in this brochure as to the proper use or recommended methods of installation of suspended ceilings and are supplied only as informative material.

For technical reasons in printing, differences may appear between colours printed in this brochure and the actual product. The choice of colours should always be made from a sample of the product.

All statements and technical information contained in this brochure, or any publication of the companies named in this brochure, relating to Armstrong ceilings are based on results obtained under laboratory test conditions. It is the responsibility of the user to verify with the seller of the products in writing that such statements and information are appropriate to the specific use intended. Sales of the products and liability of the selling companies are in accordance with the terms and conditions of sale of the selling company.

All product specifications are subject to modifications without prior notice.