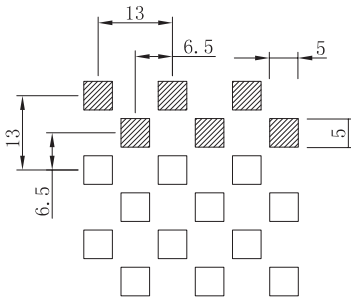
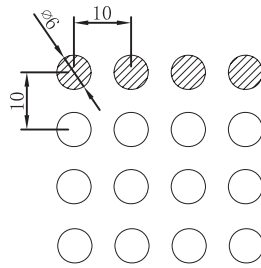


Armstrong METALWORKS

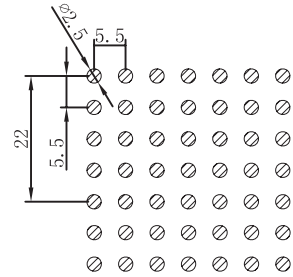
Perforation Designs for Aluminium Panels



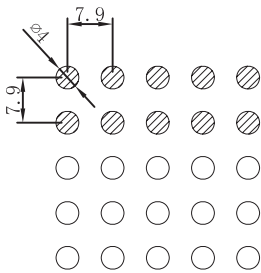
No. P1 | Max. width 664mm
Thickness 0.8~1.5mm
Open Area 29.6%



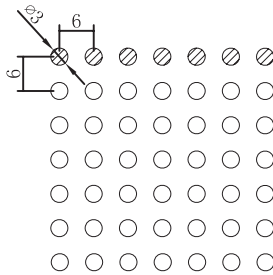
No. P2 | Max. width 1120mm
Thickness 1.0~2.0mm
Open Area 28.3%



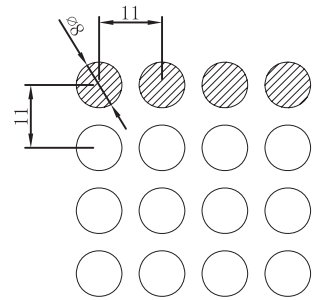
No. P3 | Max. width 600mm
Thickness 0.5~1.0mm
Open Area 16.2%



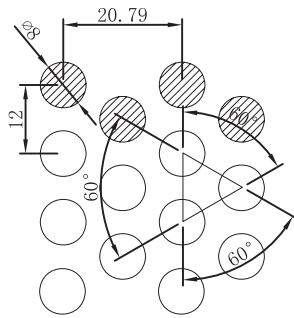
No. P4 | Max. width 1508.9mm
Thickness 2.0~3.0mm
Open Area 20.1%



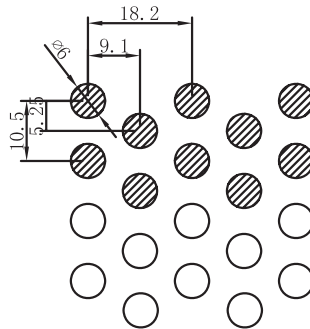
No. P5 | Max. width 690mm
Thickness 1.5~2.0mm
Open Area 19.6%



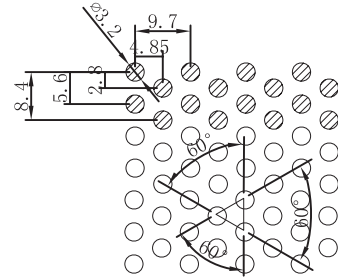
No. P6 | Max. width 580mm
Thickness 1.0~2.0mm
Open Area 41.5%



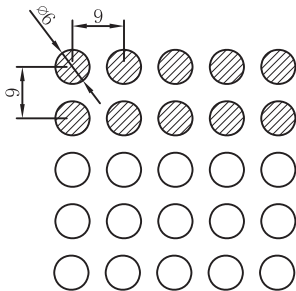
No. P7 | Max. width 600mm
Thickness 0.5~1.5mm
Open Area 40.3%



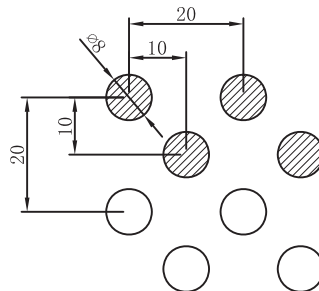
No. P8 | Max. width 1527mm
Thickness 0.5~1.5mm
Open Area 29.6%



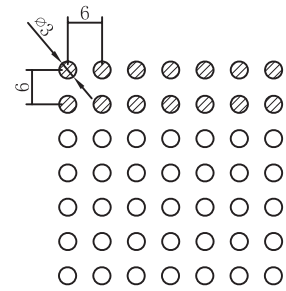
No. P9 | Max. width 737.2mm
Thickness 0.5~1.5mm
Open Area 29.6%



No. P10 | Max. width 1062mm
Thickness 0.5~1.5mm
Open Area 34.9%



No. P11 | Max. width 1160mm
Thickness 2.0~3.0mm
Open Area 25.1%

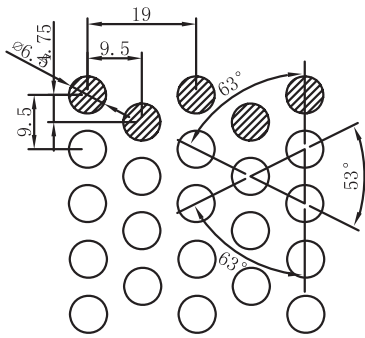


No. P12 | Max. width 1120mm
Thickness 1.0~2.0mm
Open Area 19.6%

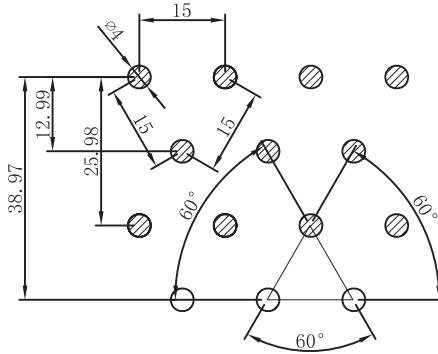
Postal address: Armstrong Ceiling Division Head Office: 99 Derby Street, Silverwater NSW 2128 Australia

Customer Service: Sydney New South Wales: (612) 9748 1588 Melbourne Victoria: (613) 9580 9633 Brisbane Queensland (617) 3809 5565

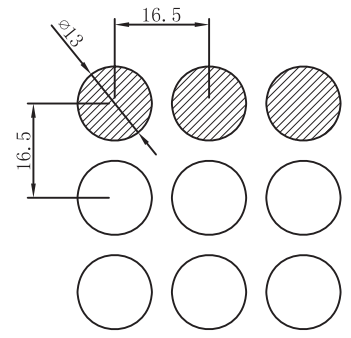
Armstrong METALWORKS Perforation Designs for Aluminium Panels



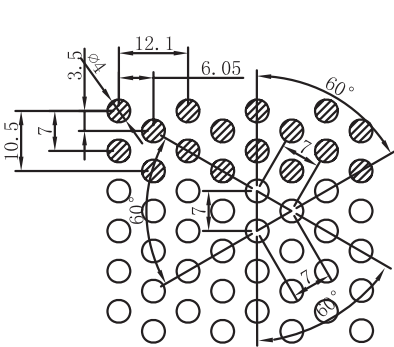
No. P13 | Max. width 1149.5mm
Thickness 2.0~3.0mm
Open Area 36.7%



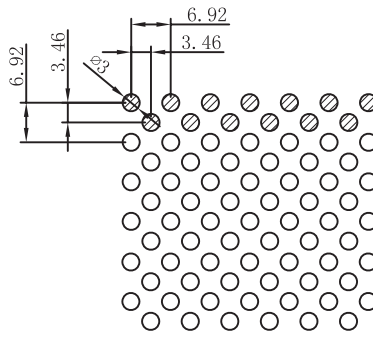
No. P14 | Max. width 727.5mm
Thickness 1.0~1.5mm
Open Area 6.45%



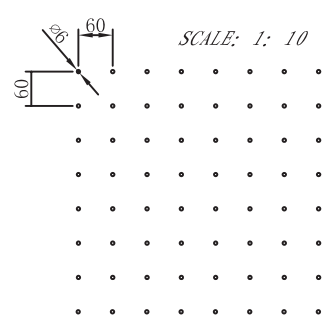
No. P15 | Max. width 709.5mm
Thickness 2.0~3.0mm
Open Area 48.7%



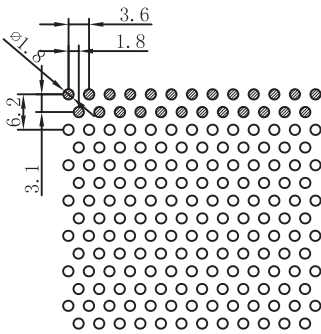
No. P16 | Max. width 739.32mm
Thickness 0.8~1.5mm
Open Area 29.6%



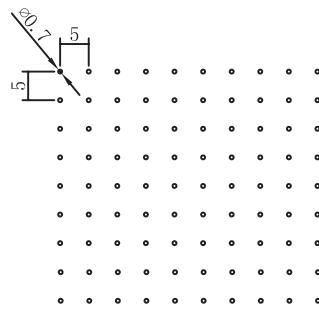
No. P18 | Max. width 1453.2mm
Thickness 1.5~2.5mm
Open Area 29.5%



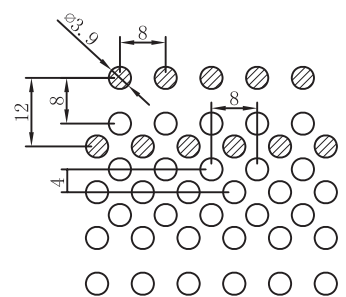
No. P19 | Max. width 660mm
Thickness 1.5~2.5mm
Open Area 0.79%



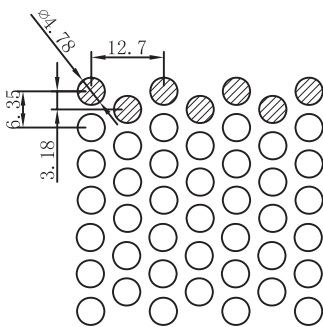
No. P20 | Max. width 702mm
Thickness 0.5mm
Open Area 22.8%



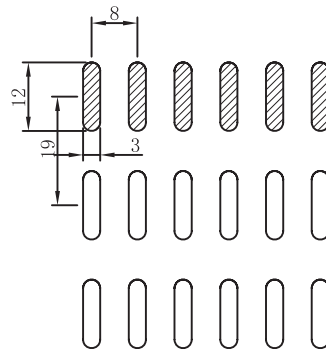
No. P21 | Max. width 690mm
Thickness 0.5mm
Open Area 1.54%



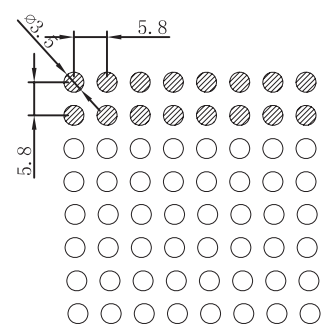
No. P22 | Max. width 712mm
Thickness 0.7mm
Open Area 37.3%



No. P23 | Max. width 1473.2mm
Thickness 1.5~2.5mm
Open Area 44.9%

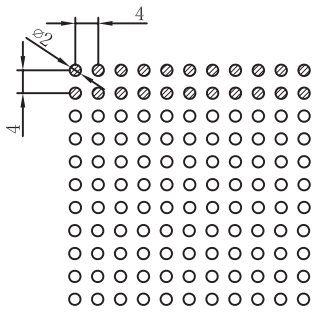


No. P24 | Max. width 1480mm
Thickness 2.0~3.0mm
Open Area 22.4%

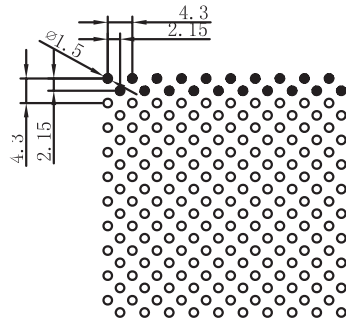


No. P27 | Max. width 870mm
Thickness 1.5mm
Open Area 28.6%

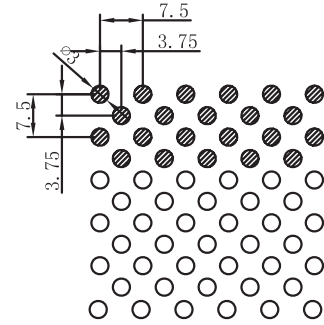
Armstrong METALWORKS Perforation Designs for Aluminium Panels



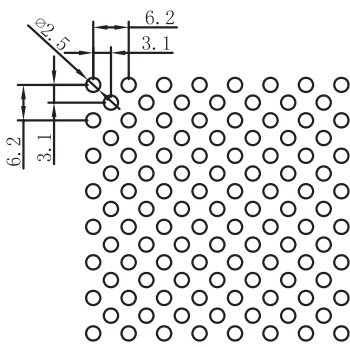
No. P30	Max. width	780mm
	Thickness	3.0mm
	Open Area	31.4%



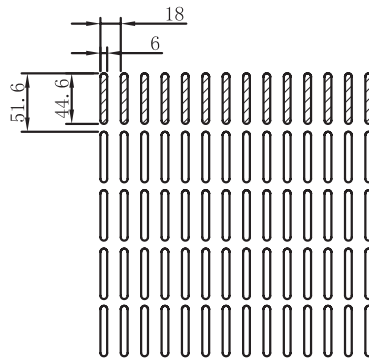
No. P36	Max. width	774mm
	Thickness	0.8~1.0mm
	Open Area	19.1%



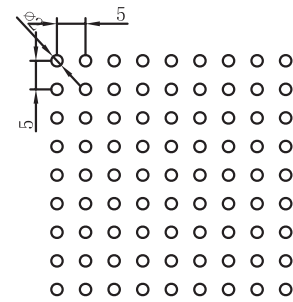
No. P37	Max. width	1143.75mm
	Thickness	0.6~1.2mm
	Open Area	25.1%



No. P40	Max. width	1447.7mm
	Thickness	0.8~1.2mm
	Open Area	25.5%



No. P42	Max. width	1170mm
	Thickness	0.5~1.0mm
	Open Area	28.0%



No. P43	Max. width	825mm
	Thickness	0.8~2.0mm
	Open Area	12.6%