

# SOUNDSOAK® Acoustical Wall Systems

## Accessories Information

### J-Molding Colors



### Accessories

	Item #	Description	Lengths	Colors
<b>Moldings</b>				
	3856_ _ _ _ *	Impact Corner	10'	See pages 1 & 2
	4062_ _ **	1" J-Molding	10'	BL, GW, FG, LT, SA
	4064_ _ **	3/4" J-Molding	10'	BL, GW, FG, LT, SA
	4065A	3/4" Low-Profile J-Molding	10'	BL

\* Insert four-letter color suffix using surface type and color suffixes from pages 1 and 2. EXAMPLE: 3856LDOB – Impact Corner Lido Oak Bluffs

\*\* Insert two-letter color suffix. EXAMPLE: 4062BL – 1" J-Molding in Black

### Chair Rail Accessory Colors



	Item # *	Description	Lengths	Colors*	Substrate
<b>new Chair Rail Accessories</b>					
	5861_ _	Mounting Rail	8'-4"	MP, LC, DC, HG, XX	Solid Wood
	5862_ _	Rail Spacer for Soundsoak 85	8'-4"	XX	Solid Wood
	5863_ _	Rail Insert	8'-4"	MP, LC, DC, HG, BL, XX	Solid Wood
	5963NA	Rail Insert Aluminum Finish	8'-0"	NA	Solid Wood and Aluminum
	5864_ _	Rail Cap	8'-4"	MP, LC, DC, HG, XX	Solid Wood
	5865_ _	Extended Rail Cap for Soundsoak 85	8'-4"	MP, LC, DC, HG, XX	Solid Wood
	5866_ _	Easel Ledge	8'-4"	MP, LC, DC, HG, XX	Solid Wood

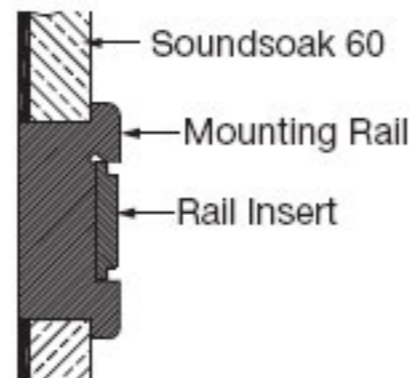
\* Insert two-letter color suffix for all Chair Rail item orders, except 5963NA. EXAMPLE: 5861HG – Mounting Rail in Mahogany

◆ NOTE: XX is unfinished wood, which can be field-painted.

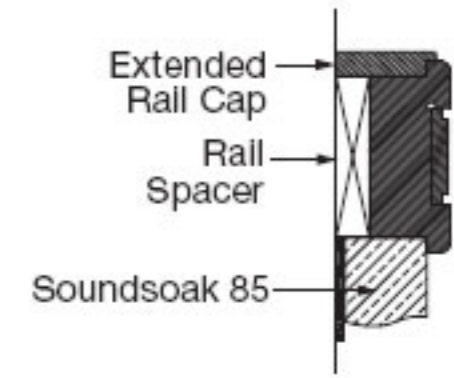
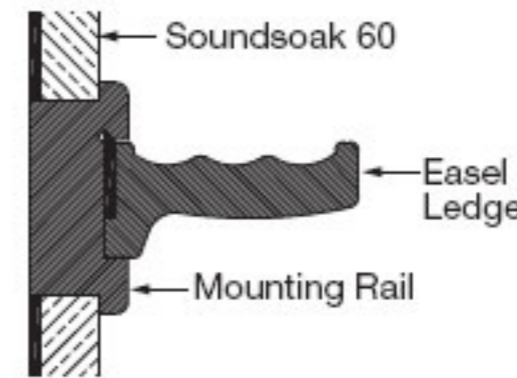
### Easy to Install



Soundsoak 60 panel with Chair Rail – Mounting Rail with Rail Insert



Soundsoak 60 panel with Chair Rail – Mounting Rail with Easel Ledge (field painted)



Soundsoak 85 panel with Chair Rail – Mounting Rail with Rail Insert, Extended Rail Cap and Rail Spacer