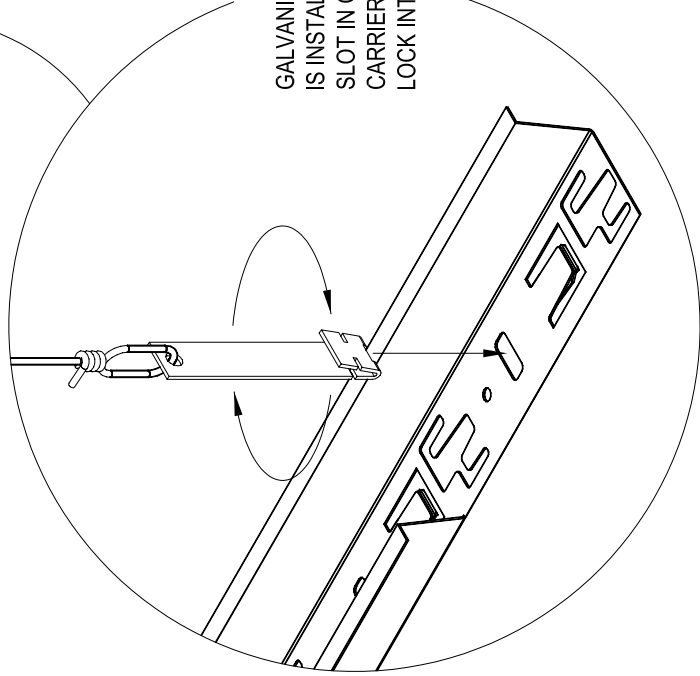
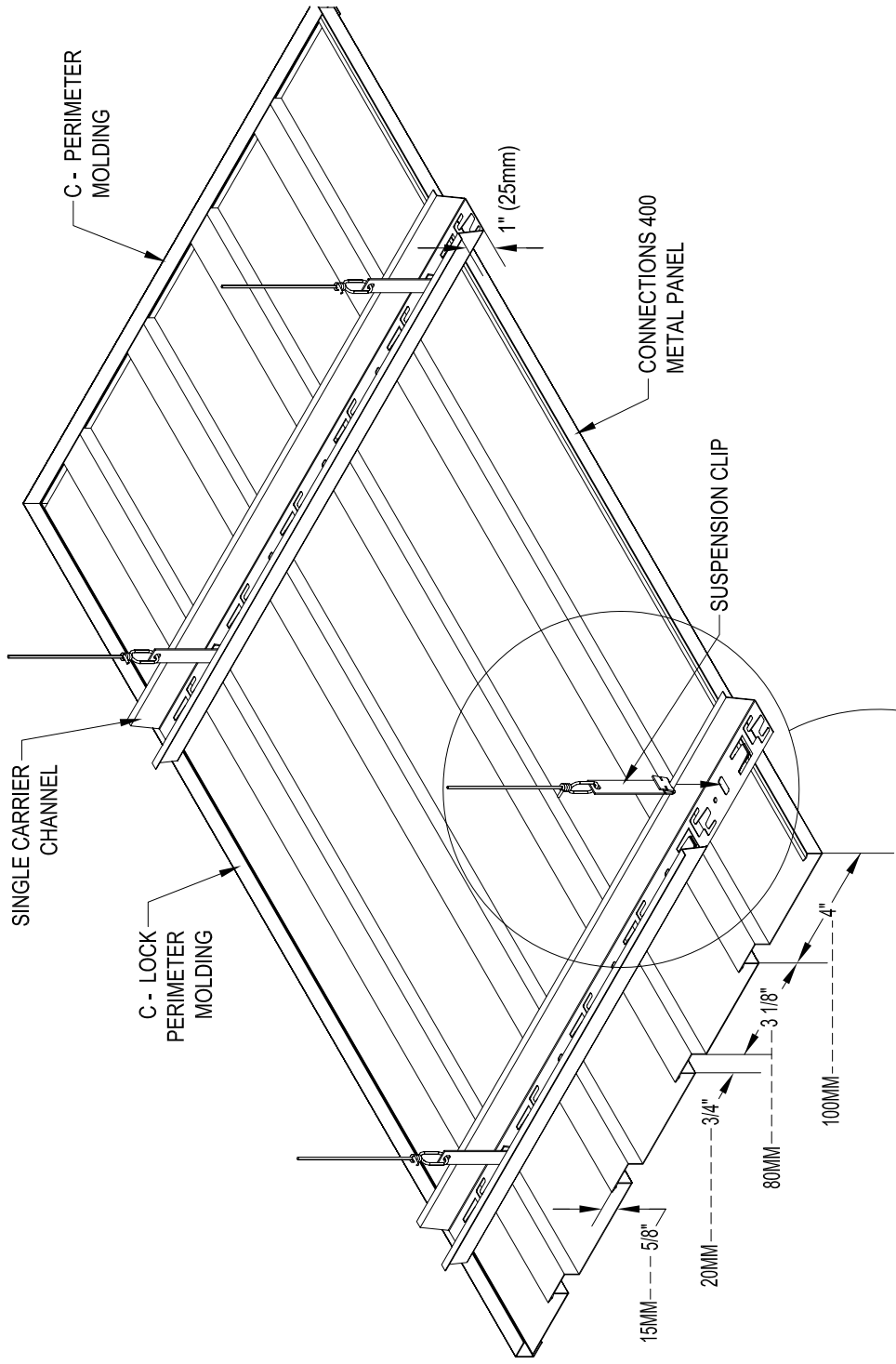


CONNECTIONS - 400 SERIES



GALVANIZED SUSPENSION CLIP IS INSTALLED INTO PRE-PUNCHED OUT SLOT IN CONNECTIONS SINGLE CARRIER CHANNEL AND TWISTED TO LOCK INTO POSITION.