



Sales Notice: 2003-57

July, 2003

## Eliminate Splices and Installation Hassles With 50" Cross Tees

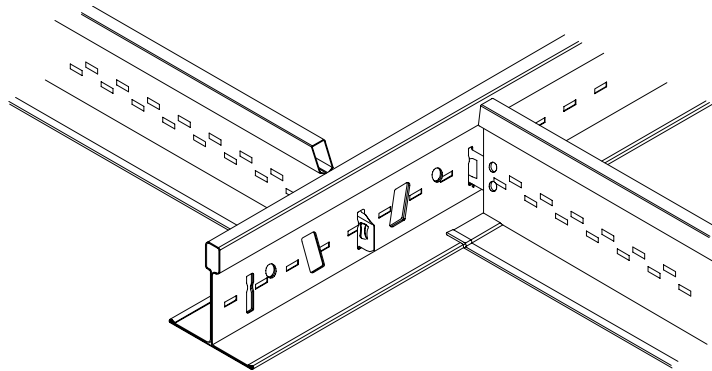
Armstrong Drywall Grid System (DGS) accommodates both cross tees and hat track (furring channel HD8940). Furring channel has the appearance of four-foot hat track, but has a special end detail that fits into the main beam. The main beams are engineered with triple cross tee rout punches to facilitate installation of cross tees for type "F" fixtures. We also offer 50", 26" and 14" cross tees for these type "F" fixtures. Good parts and pieces, but what do you do with them?

### Greater Flexibility with Less Installation Time

If your suspended drywall ceiling installation has 2' x 4' or 1' x 4' type "F" lights and isn't fire rated, consider installing drywall main beams 50" on center, and use 50" cross tees (XL8947). You'll really save time with the flexibility to install lights **perpendicular** to the main beams, as well as **parallel**—with no field modification required. There's no reason to have more than one "4 ft." cross tee on site! Space the mains 50" on center and install 50" tees on 16" or 24" centers—depending on the drywall thickness.

### "No Hassle" Cross Tee Installation

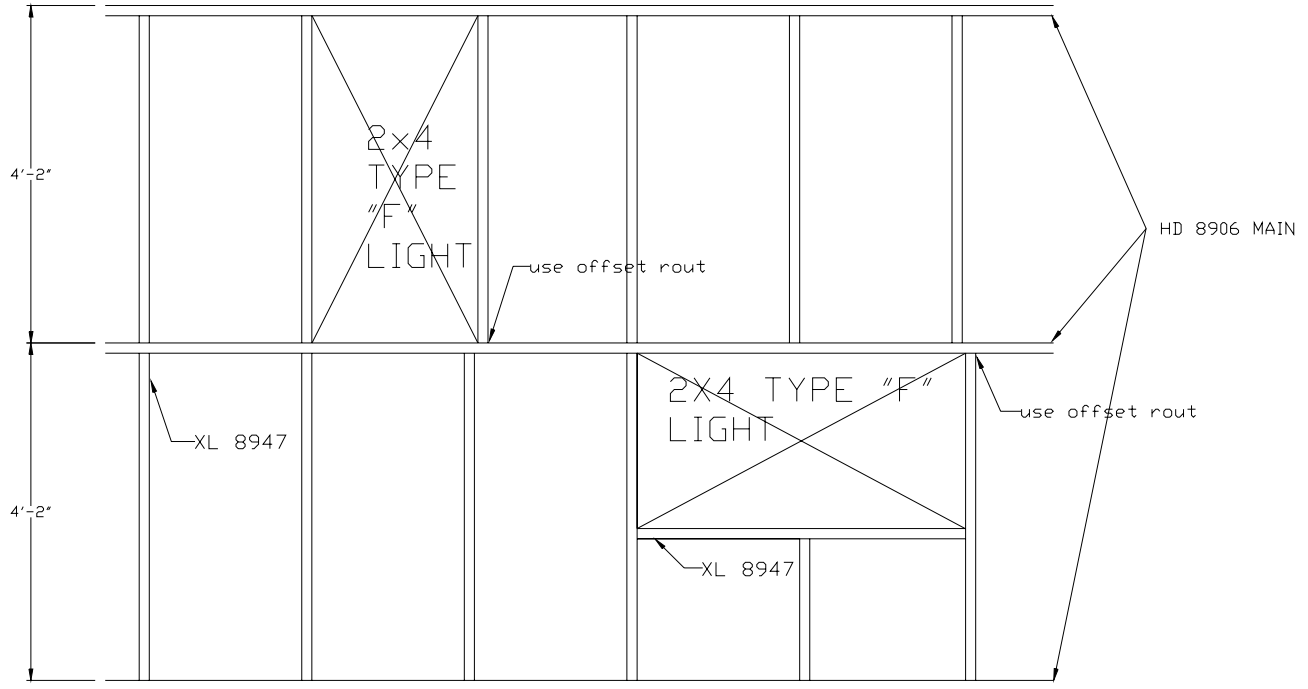
When you come to an opening for a light fixture, just change the tee spacing to a cross tee rout 2" to the right or left (as shown below) to accommodate the light.



*Continued on Back*

**Don't re-work, just faster work!**

If the main beams are already 50" on center, you won't spend time and money to relocate mains so the ends of the light fit between them. Because you only attach the drywall to the tees, the 50" spacing of the mains doesn't cause a problem.



**Get on and off the job—Faster, Easier, Better<sup>SM</sup>**

While the materials for our drywall grid system cost a little more than traditional carrying channel and hat track, you'll save money on labor! In fact, some contractors are saving up to 40% on their labor with our drywall grid. Why not save even more? Switch to Armstrong 50" Drywall Grid System tees and see for yourself how easy – and fast – type "F" fixtures can be.