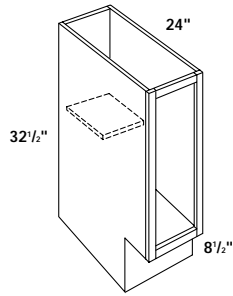


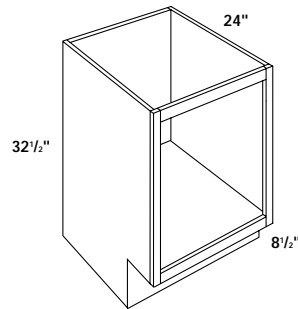
# HANDICAP ACCESSIBLE BASE CABINETS – FOR ALL DOOR STYLES



## HANDICAP ACCESSIBLE FULL HEIGHT SINGLE DOOR BASE CABINETS

- HCB12FH L or R
- HCB15FH L or R
- HCB18FH L or R
- HCB21FH L or R
- HCB24FH L or R

Specify L or R Door Hinge

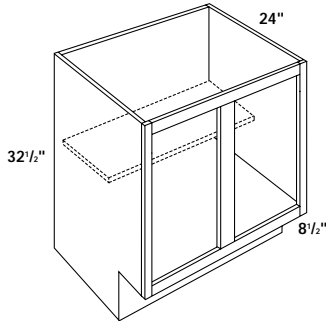


## HANDICAP ACCESSIBLE FULL HEIGHT SINGLE DOOR SINK BASE CABINET

- HCSB24FH L or R

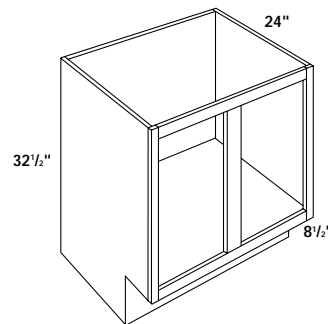
Specify L or R Door Hinge

**NOTE:** Bel Air and Coronet have 2 butt doors.



## HANDICAP ACCESSIBLE FULL HEIGHT DOUBLE DOOR BASE CABINETS

- HCB27FH
- HCB30FH
- HCB33FH
- HCB36FH
- HCB39FH
- HCB42FH
- HCB45FH
- HCB48FH

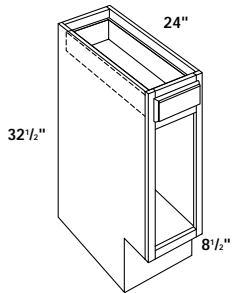


## HANDICAP ACCESSIBLE FULL HEIGHT DOUBLE DOOR SINK BASE CABINETS

- HCSB27FH
- HCSB30FH
- HCSB33FH
- HCSB36FH
- HCSB39FH
- HCSB42FH
- HCSB45FH
- \*HCSB48FH

\*Bel Air and Coronet have 4 butt doors.

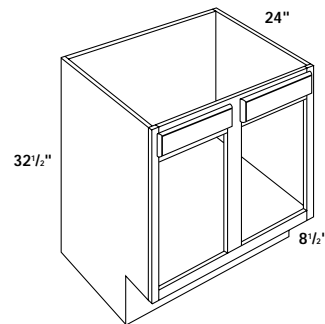
# HANDICAP ACCESSIBLE BASE CABINETS – STANDARD REVEAL ONLY



## HANDICAP ACCESSIBLE SINGLE DOOR BASE CABINETS

- HCB12 L or R
- HCB15 L or R
- HCB18 L or R
- HCB21 L or R

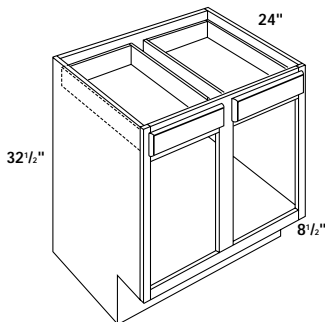
Specify L or R Door Hinge



## HANDICAP ACCESSIBLE DOUBLE DOOR SINK BASE CABINETS

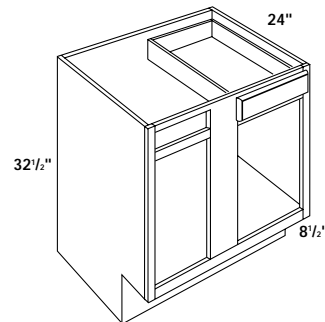
- +HCSB30
- +HCSB33
- +HCSB36
- HCSB42

+HCSB30, HCSB33, and HCSB36 have one wide drawer head.



## HANDICAP ACCESSIBLE DOUBLE DOOR BASE CABINETS

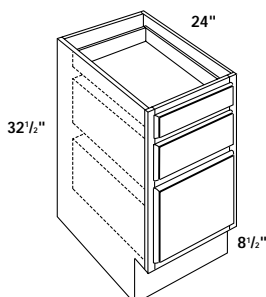
- HCB30
- HCB33
- HCB36
- HCB42



## HANDICAP ACCESSIBLE SINGLE DOOR AND DRAWER BLIND BASE CABINETS

- HCBLB36/39 L or R
- HCBLB39/42 L or R
- HCBLB42/45 L or R
- HCBLB45/48 L or R

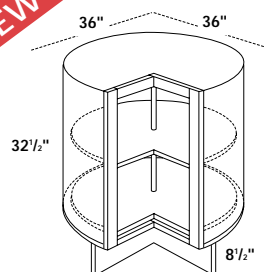
Specify L or R Blind



## HANDICAP ACCESSIBLE TRIPLE DRAWER BASE CABINETS

- HCDB12
- HCDB15
- HCDB18
- HCDB21
- HCDB24

**NEW**



## HANDICAP ACCESSIBLE ROTATING CORNER BASE CABINET

- HCCAR36 L or R

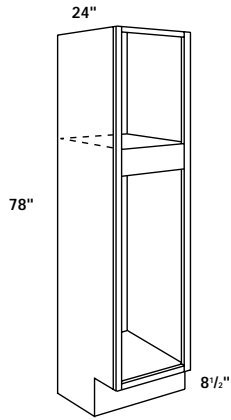
Specify L or R Door Hinge

Requires 36" of wall space on both sides.

Shelf diameter is 24"  
Overall diameter is 26"

**NOTE:** This unit is not designed to be used at the end of a cabinet run or up against appliances. Allow for DWR1 (Additional 1") of space when using in this application.

**HANDICAP ACCESSIBLE UTILITY & OVEN CABINETS – STANDARD REVEAL ONLY**

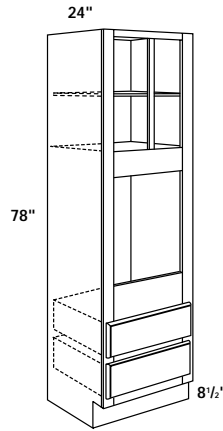


**HANDICAP ACCESSIBLE  
78" HIGH x 18" WIDE  
SINGLE DOOR  
UTILITY CABINET**

HCUC1824x78 L or R (24" depth)

Specify L or R Door Hinge

**NOTE:** Single Door  
Top and Bottom

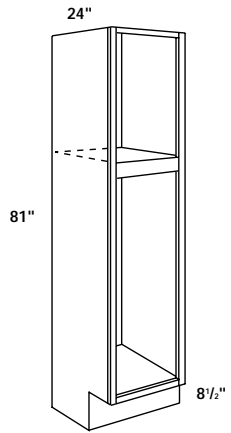


**HANDICAP ACCESSIBLE  
78" HIGH OVEN  
CABINETS**

HCOV27x78

HCOV30x78

HCOV33x78

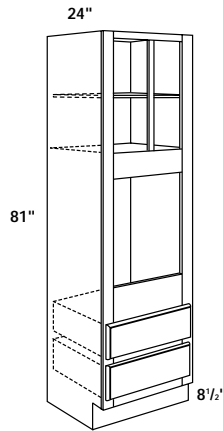


**HANDICAP ACCESSIBLE  
81" HIGH x 18" WIDE  
SINGLE DOOR  
UTILITY CABINET**

HCUC1824x81 L or R (24" depth)

Specify L or R Door Hinge

**NOTE:** Single Door  
Top and Bottom



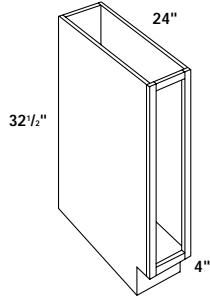
**HANDICAP ACCESSIBLE  
81" HIGH OVEN  
CABINETS**

HCOV27x81

HCOV30x81

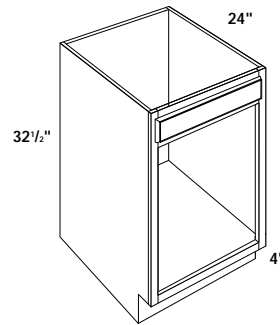
HCOV33x81

# HANDICAP ADAPTABLE BASE CABINETS – FOR ALL DOOR STYLES



## HANDICAP ADAPTABLE SINGLE FULL HEIGHT DOOR BASE CABINET

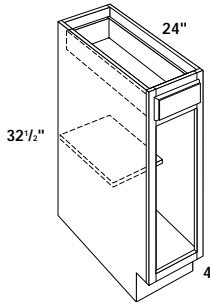
HAB9 L or R



## HANDICAP ADAPTABLE SINGLE DOOR SINK BASE CABINET

HASB24 L or R

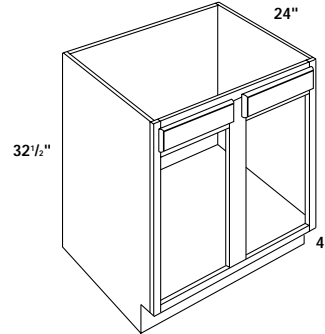
Specify L or R Door Hinge



## HANDICAP ADAPTABLE SINGLE DOOR BASE CABINETS

HAB12 L or R  
HAB15 L or R  
HAB18 L or R  
HAB21 L or R  
HAB24 L or R

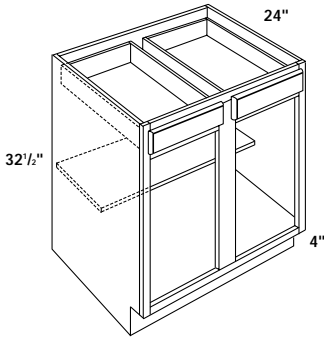
Specify L or R Door Hinge



## HANDICAP ADAPTABLE DOUBLE DOOR SINK BASE CABINETS

+HASB27 HASB39  
+HASB30 HASB42  
+HASB33 HASB45  
+HASB36 HASB48

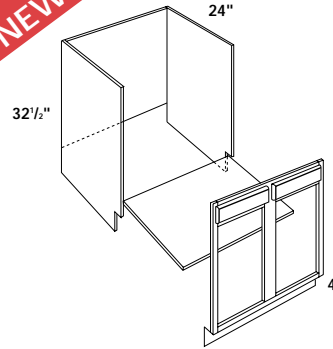
+HASB27, HASB30, HASB33, and HASB36 have one wide drawer head.



## HANDICAP ADAPTABLE DOUBLE DOOR BASE CABINETS

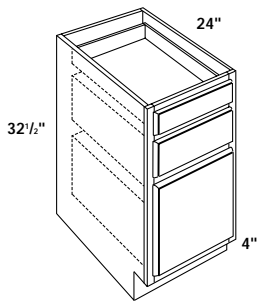
HAB27  
HAB30  
HAB33  
HAB36  
HAB39  
HAB42  
HAB45  
HAB48

**NEW**



## HANDICAP ADAPTABLE DOUBLE DOOR SINK BASE CABINETS WITH REMOVABLE FRONT

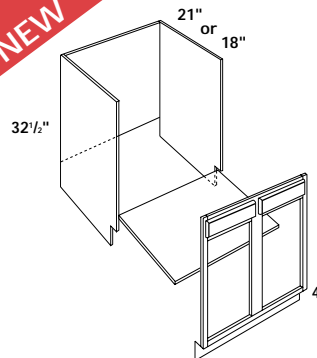
HASB30REM  
HASB33REM  
HASB36REM  
HASB42REM  
HASB48REM



## HANDICAP ADAPTABLE TRIPLE DRAWER BASE CABINETS

HADB12  
HADB15  
HADB18  
HADB21  
HADB24

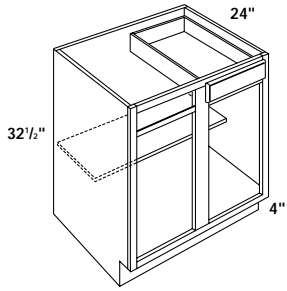
**NEW**



## HANDICAP ADAPTABLE DOUBLE DOOR VANITY SINK BASE CABINETS WITH REMOVABLE FRONT

HASB30REMx21  
HASB33REMx21  
HASB36REMx21  
HASB42REMx21  
HASB48REMx21  
HASB30REMx18  
HASB33REMx18  
HASB36REMx18  
HASB42REMx18  
HASB48REMx18

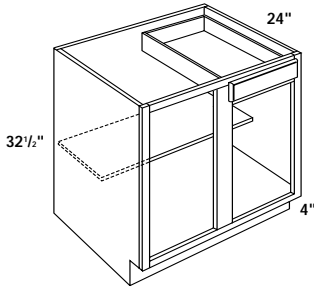
# HANDICAP ADAPTABLE BASE CABINETS – FOR ALL DOOR STYLES



## HANDICAP ADAPTABLE SINGLE DOOR AND DRAWER BLIND BASE CABINETS

HABLB36/39 L or R  
 HABLB39/42 L or R  
 HABLB42/45 L or R  
 HABLB45/48 L or R

Specify L or R Door Hinge

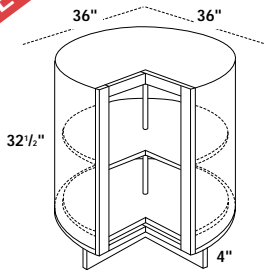


## HANDICAP ADAPTABLE SINGLE DOOR AND DRAWER BLIND BASE CABINET

HABLB48/51 L or R

Specify L or R Blind

**NEW**



## HANDICAP ADAPTABLE ROTATING CORNER BASE CABINET

HACAR36 L or R

Specify L or R Door Hinge

Requires 36" of wall space on both sides.

Shelf diameter is 24"  
 Overall diameter is 26"

NOTE: This unit is not designed to be used at the end of a cabinet run or up against appliances. Allow for DWR1 (Additional 1") of space when using in this application.