

## ULTIMA+ Vector DUNE Vector

### Semi-concealed system on exposed 24mm grid

This Technical Data Sheet is offered as an aid to the specification of our products and provides information on our ULTIMA+ and DUNE Vector tiles.

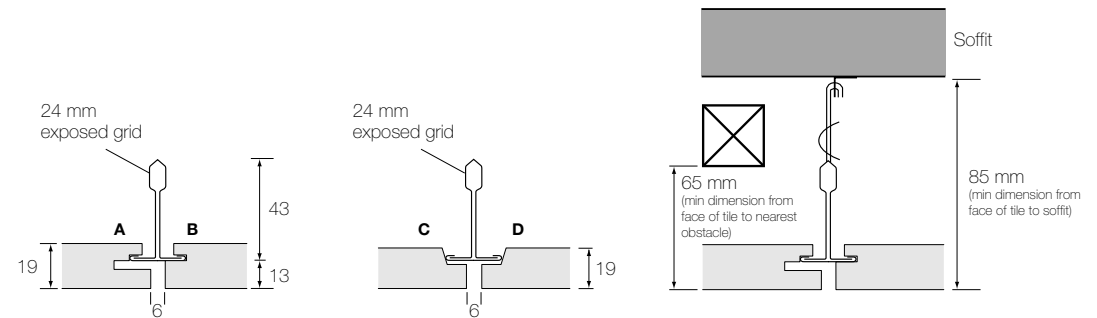
**Surface Finish** ULTIMA+: Lightly textured, unperforated, non-directional surface. Factory applied treatment for durability, impact, scratch, soil and humidity resistance. Durable edge treatment.  
DUNE: Microperforated, finely granulated surface texture and is available in a wide variety of size and edge details. Improved durability and enhanced acoustical absorption.

**Colour** White

**Light Reflectance** ULTIMA+ = 87%  
DUNE = 84%  
Measured in accordance with EN ISO 7724-2 & 3.

Item No.	Surface	Edge Detail	Size (mm)
7681 M	ULTIMA+	Vector	600 x 600 x 19
7681 D	ULTIMA+	Vector	625 x 625 x 19
3321 M	DUNE	Vector	600 x 600 x 19

**General** Vector tiles are designed to install on a conventional 24mm exposed tee grid. All full tiles can be removed and reinstalled from below without encroaching into the plenum area. ULTIMA+ Vector has a 90 degree edge and DUNE Vector has a 3 mm bevel at 30°. Installed tiles conceal the tee flanges and create a continuous 6 mm shadow reveal. ULTIMA+ and DUNE Vector tiles install with a minimum plenum clearance; lighting fixtures and air handling systems will determine the minimum plenum height for the installation. For best results it is recommended to install ULTIMA+ and DUNE Vector on Armstrong Prelude 24 XL<sup>2</sup> grid.



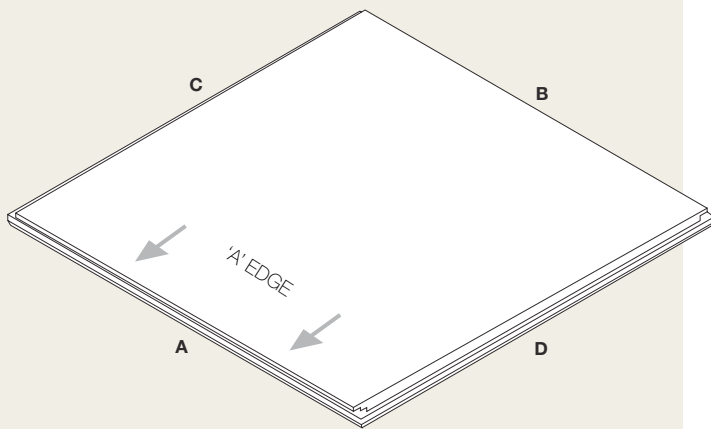
All measurements are in millimetres.

# ULTIMA+ Vector DUNE Vector

## Tile Edges

ULTIMA+ and DUNE Vector tiles feature unique edge detailing.

The following section is intended to define and explain the function of the edge details.



### Access Kerf A

The tile edge designated as "A" has a stepped groove detail and is called the access kerf. This edge is the first to engage the suspension system. An arrow printed on the back of the panel will identify this edge.



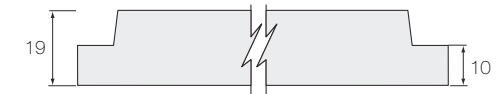
### Registration Kerf B

Edge "B" has a single kerf detail that supports the second side and centres the tile in the A - B direction. This edge is referred to as the registration kerf and is opposite edge "A".



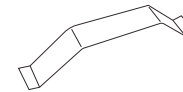
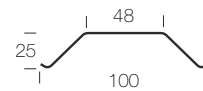
### Reverse Tegular Edges C and D

The two remaining tile edges are rebated to fit between the flanges of the grid system. These edges centre the tile in the C - D direction and are called reverse tegular edges.



## ACCESSORIES

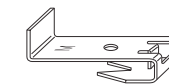
①



A1796 G

Border wedge

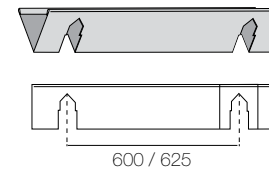
②



FS 440 G

Vector border clip

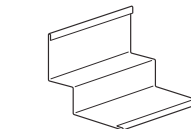
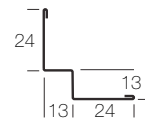
③



C 180 L 600  
C 180 L 625

Spacer bar

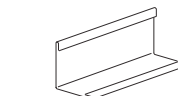
④



7875 G

Shadowline perimeter trim

⑤



T1924 HD

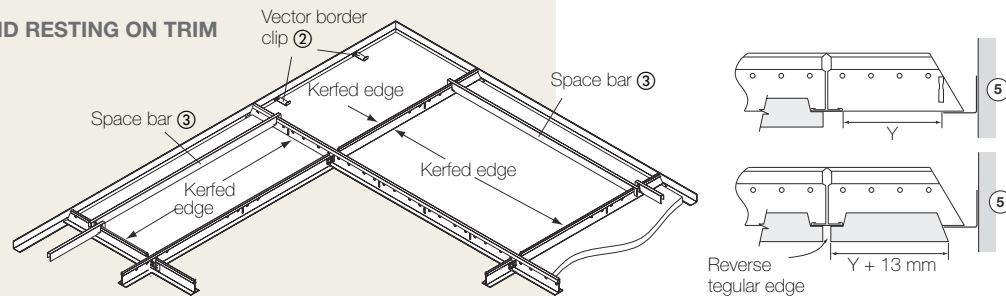
Perimeter trim

# ULTIMA+ Vector DUNE Vector

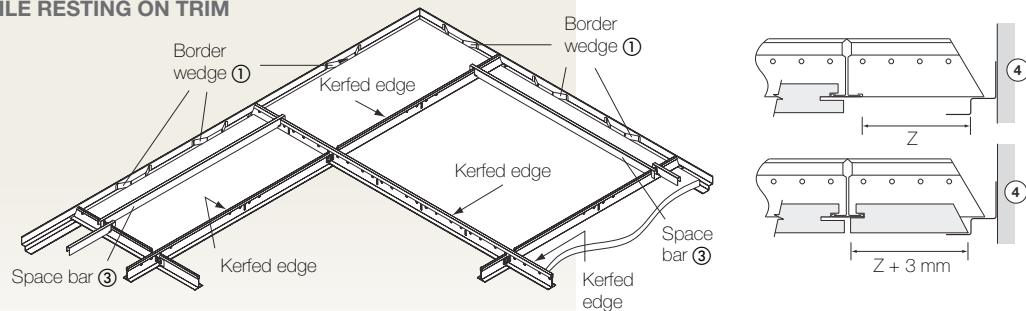
## Perimeter solutions

Many options are available for perimeter detailing. Suggested here are two of these options: grid resting on the perimeter trim or face of the tile resting on trim. Follow the instructions appropriate for the job conditions.

### GRID RESTING ON TRIM



### TILE RESTING ON TRIM



#### Spacer bar

Spacer bars ③ are recommended at the perimeters of all installations to help maintain proper tile alignment.

#### Border wedge

Where tiles are resting on the trim border wedges ① are necessary at cut perimeters to centralise tiles against registration kerfs.

### GRID RESTING ON TRIM

When this detail is used with ULTIMA+ or DUNE Vector the border tiles are cut to butt against the trim as shown. The cut is made parallel to either the C or D edge of the tile. This will retain the A and B details on opposite sides of the border tile. ULTIMA+ and DUNE are non-directional. Tiles may be rotated at the walls to retain the kerfed edges.

#### Measuring the tile

Measure the size of the opening from the edge of the T-bar to the edge of the trim and add 13 mm. Measure and mark the face side of the tile at both edges.

#### Cutting and installing the tile

Cut from the face side using a sharp cutter and a straight edge. Angle the cut so that the face side of the tile is about 2 mm longer than the back side. This back cut will wedge the panel into the opening and prevent it from shifting away from the trim. Install in the same way as a full sized tile, additional Vector border clips may be used to secure the tile.

#### Corner tile installation

Preparation of the corner tile will require the removal of two edges. Mark and cut the tile to retain a portion of the A edge. Support the B side of the tile by inserting two Vector Border Clips (FS 440 G ②) to rest on the perimeter trim.

### TILE RESTING ON TRIM

Another option is to have the grid system raised above the trim by 13 mm. This clearance will allow the face of the tile to rest upon the support leg of the trim. In this installation, the shadowline trim (7875 G ④) has a 13 x13 mm offset. The grid is resting up on the upper flange and the face of the tile is on the lower flange. This method will create "small gaps" where the grid passes over the perimeter trim flange, but it eliminates field cut tile edges that may be exposed to view.

#### Measuring the tile

Measure the distance from the edge of the grid flange to the upper flange of the shadowline trim and add 3 mm. Mark this dimension on the face of the tile, measuring from one of the kerfed edges.

#### Cutting and installing the tile

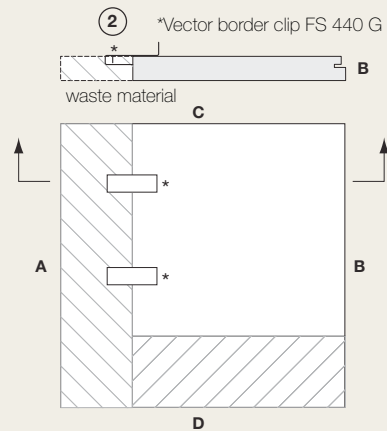
Cut from the face side of the tile with a sharp cutter and a straight edge. Install this tile much as you would a full sized tile. Start with the cut edge going up and over the flange of the perimeter trim. Raise the tile up to the horizontal and then slide the kerfed edge back onto the grid flange.

# ULTIMA+ Vector DUNE Vector

## INSTALLATION AND REMOVAL

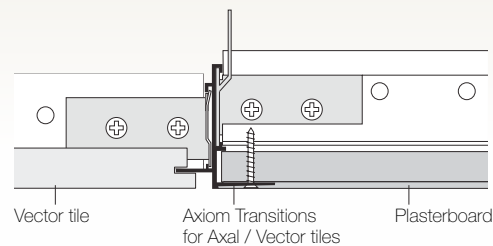
ULTIMA+ and DUNE Vector ceiling tiles are easily installed and removed from below the suspension system without the aid of tools or special equipment, allowing easy downward access to the plenum.

### Cut corner tile



### ULTIMA+ and DUNE Vector perimeter detail (full tile)

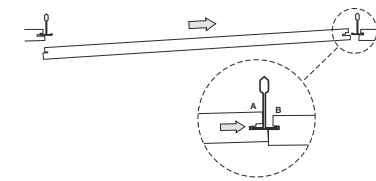
Full tile ULTIMA+ and DUNE Vector installation with Axiom Transitions (T3210 G) and flush plasterboard surround.



## INSTALLATION

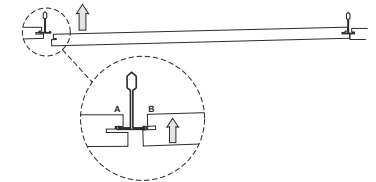
### Step 1

Place the deepest part of the edge A, the access kerf, into the grid flange



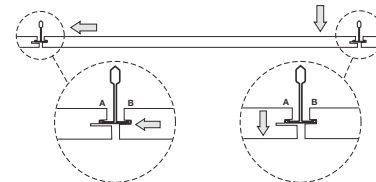
### Step 2

Raise the opposite edge B, the registration edge, into the grid opening.



### Step 3

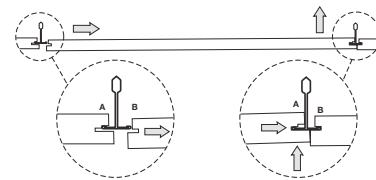
Slide the tile back into the grid flange, making sure the access edge A drops into position.



## REMOVAL

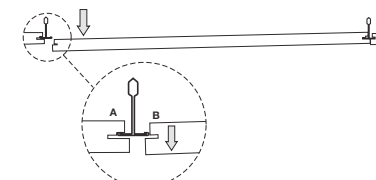
### Step 1

Identify the access edge A by slightly pushing the tile in the centre, edge A is on the side which lifts the most. Raise the access edge A and slide the tile along, engaging the grid into the double kerf.



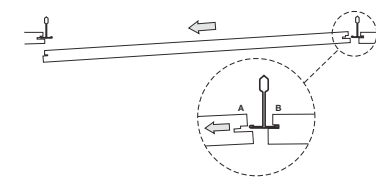
### Step 2

Lower the registration edge B out of the grid.



### Step 3

Slide the tile downward and release the access edge A from the grid.



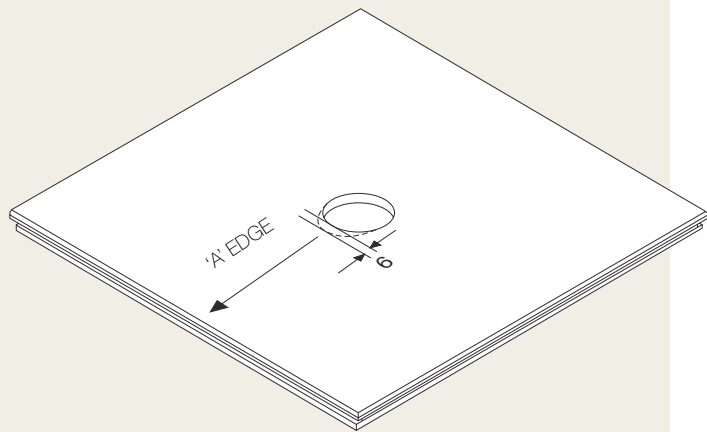
All measurements are in millimetres.

# ULTIMA+ Vector DUNE Vector

## Service Integration

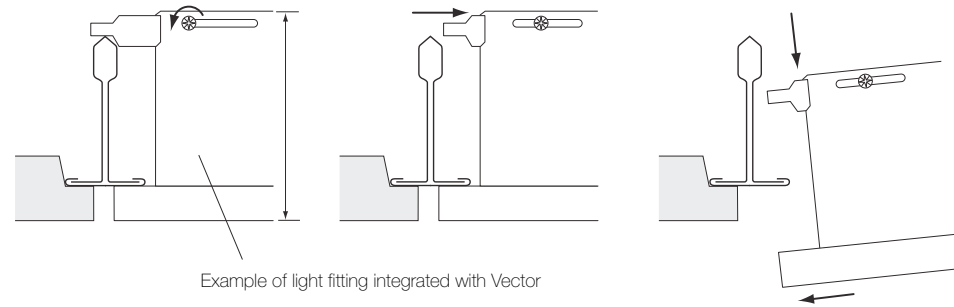
The face of the Vector tile extends 13 mm below the suspension system. The height of components that interface with the ceiling panels, such as sprinklers and light fixtures should be detailed accordingly.

Holes cut for sprinkler heads and other services must be cut slightly oversized to allow the tile to move in the direction of the 'A' edge. Collar trims for these devices must be wide enough to accommodate this 6 mm movement.



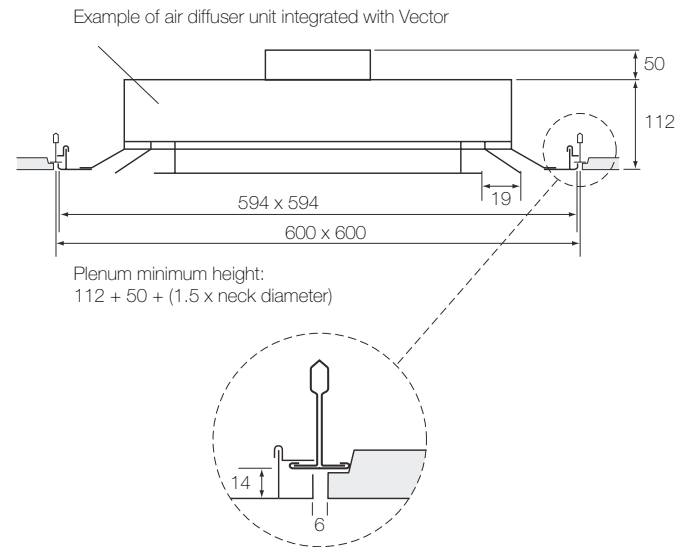
## LIGHT FITTING

A variety of light fitting designs are available which integrate with the ULTIMA+ and DUNE Vector ceiling system. Please contact Armstrong Internal Technical Sales Group for further details.



## AIR DIFFUSER

A variety of air diffuser designs are available which integrate with the ULTIMA+ and DUNE Vector ceiling system. Please contact Armstrong Internal Technical Sales Group for further details.



## ULTIMA+ Vector DUNE Vector

<b>Tile Loading</b>	Spotlights, luminaires and other service fittings should not be supported directly onto the back of the tile as damage or excessive deflection could occur. A pattress or other suitable method must be used to ensure that the fitting's load is transferred onto the grid, provided that the overall load does not exceed Armstrong's guidelines. Alternatively, direct independent suspension should be employed.
<b>Seismic Hold Down Clip</b>	ULTIMA+ and DUNE Vector seismic hold down clips are available for use on installations in areas of seismic activity. Please contact Armstrong Internal Technical Sales Group for further information.
<b>Handling and Storage</b>	Site storage and handling to the place of installation is generally provided by the Building Contractor. Armstrong pack their products so they will withstand careful site handling. Shrink-wrapping is not waterproof. Cartons may be handled numerous times from manufacture to installation, any rough handling, rolling or dropping cartons on their edges may cause damage to the product.

	ULTIMA+ Vector	DUNE Vector
<b>Acoustic Performance</b>		
Sound absorption ( $\alpha_w$ )	0.75 (H)	0.65
Sound attenuation ( $D_{ntw}$ )	33 dB	35 dB
<b>Recycled content</b>	51%	46%
<b>Light Reflectance</b>	ULTIMA+ = 87 %	DUNE ≈ 84%
<b>Thermal Conductivity</b>	$\lambda = 0.052$ W/mK	$\lambda = 0.060$ W/mK
<b>Humidity Exposure</b>	95% RH	95% RH
<b>Fire Reaction</b>	EEA: A2-s1,d0 RUS: KM1 (G1, V1, D1, T1)	EEA: A2-s1,d0
<b>Performances</b>	Scratch resistant	-
<b>Cleaning</b>	- Wipeable with a dry cloth / soft brush - Wipeable with a moist cloth - Washable with a sponge dampened in water containing mild soap or diluted detergent	- Wipeable with a dry cloth / soft brush - Washable with a sponge dampened in water containing mild soap or diluted detergent
<b>Weight</b>	5.8 kg/m <sup>2</sup>	≈ 6.3 kg/m <sup>2</sup>
<b>Field Cutting</b>	Cut from the face side of the tile with a sharp knife. Cut tile edges that are exposed to view will have to be treated to look like factory painted edges. Armstrong ceiling tile Touch-up Paint (BP AFPB) is recommended.	

All product specifications are subject to modifications without prior notice.

www.armstrongceilings.co.uk  
www.armstrongceilings.ie  
www.armstrongceilings.ru  
www.armstrong.ae

  
CEILING SOLUTIONS