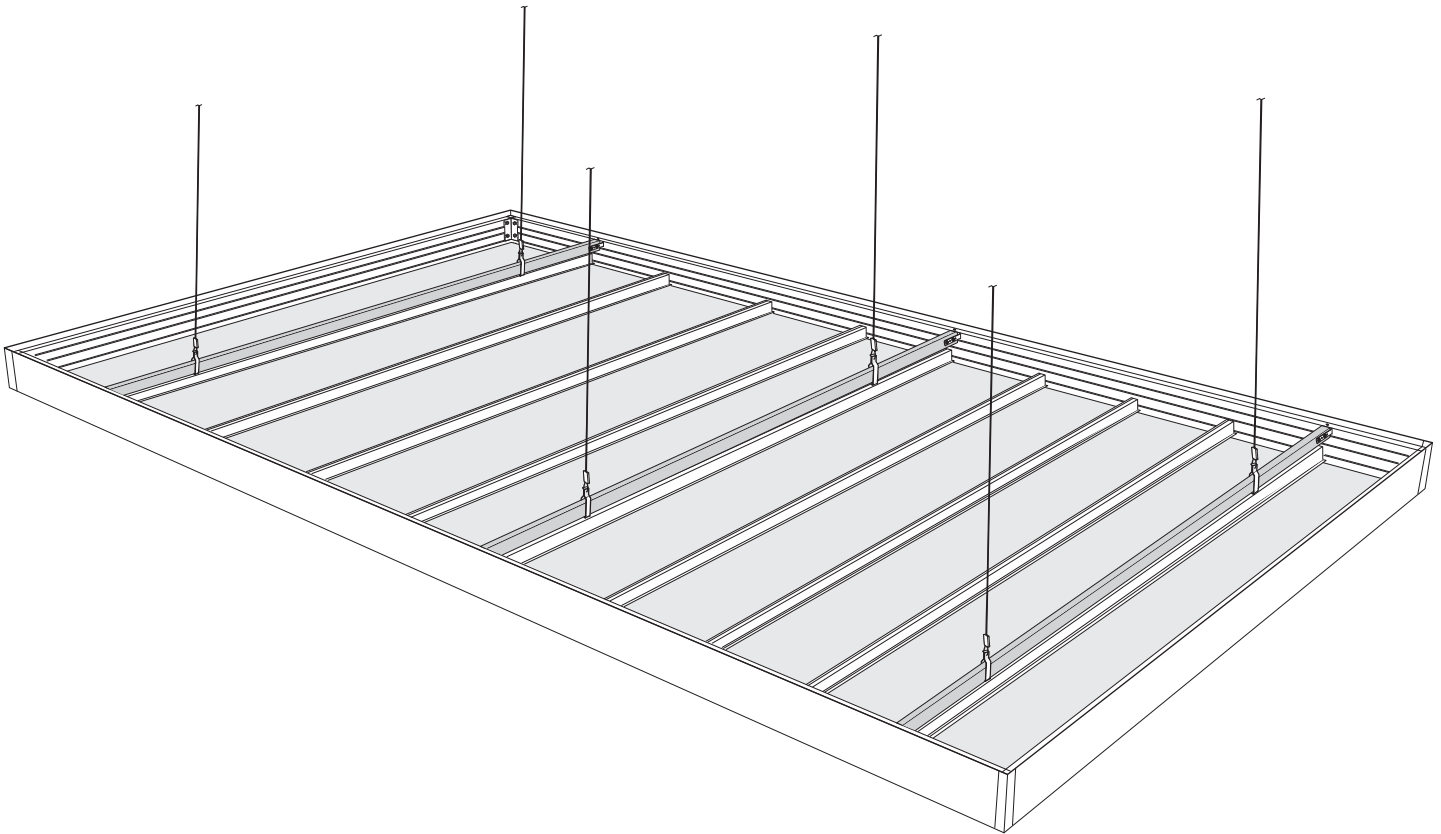
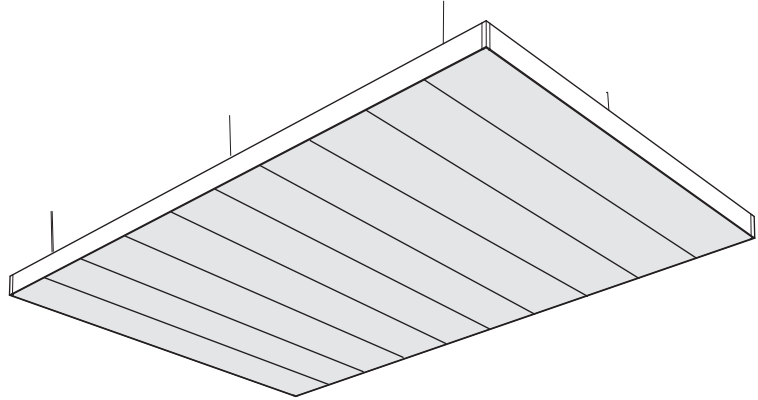
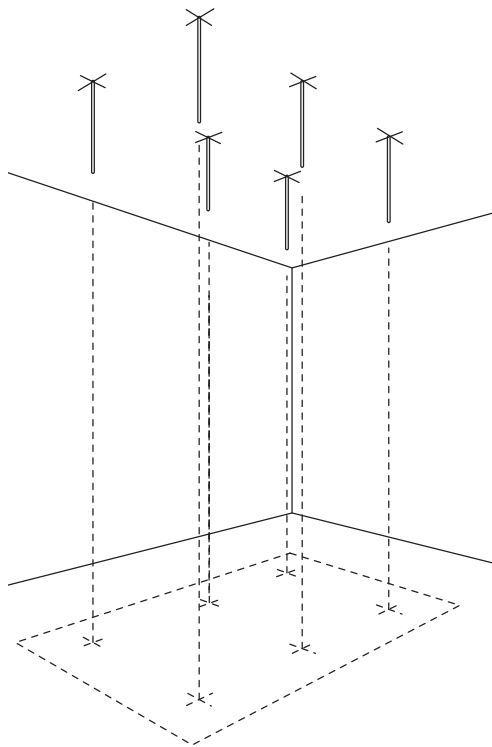


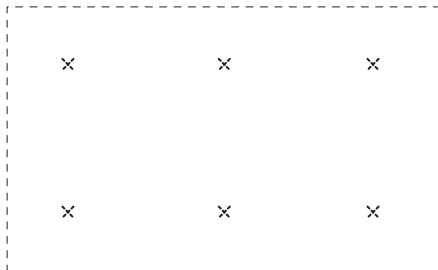
AXIOM C CANOPY SL2 PLANKS

Installation Guide






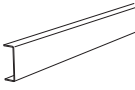
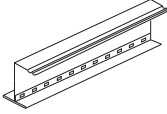
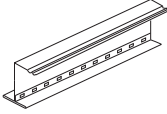
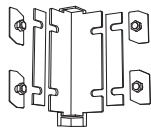


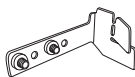
1.8 x 3m module



SUSPENSION POINTS

Suspension points should be determined before installing the canopy. See the recommended suspension point matrix on the last page of this manual.

AXIOM C CANOPY SL2 PLANKS COMPONENTS

Item Nr.	Description
 55 14 11 G	AXIOM C Canopy Profile
 C 3000 H	C Channel 19 x 38mm
 CZ 41 494 J	Z-bar 30.5 mm
 CZ 41 794 J	Z-bar 30.5 mm
 A 345 G	AXIOM Vector MicroLook Tegular Profile corner post
 A 348 G	Channel Bracket for Canopy (Aircraft cable included in the kit)
 CA 97 H	Clamp for C channel
 A 339 J	AXIOM Universal T-bar connector clip for cut tees with screws

Axiom C Canopy is a modular suspension system supplied kit with ready-to-assemble components (partly listed above).

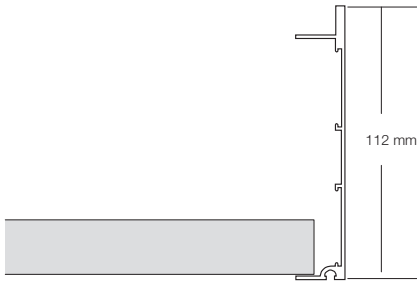
! INITIAL RECOMMENDATIONS

- AXIOM C Canopies should always be installed in accordance with all applicable building codes and regulations.
- AXIOM C Canopies, as any other architectural feature located in the ceiling plane, may obstruct or skew the existing or planned fire sprinkler distribution pattern or even delay the activation of the fire detection system. Designers and installers are advised to consult a fire protection engineer for guidance on the proper installation techniques where fire detection or suppression systems are present.
- Any additional load (such as light spots) MUST NOT be suspended from the canopy but independently from the soffit.
- AXIOM C Canopies should be always installed on a horizontal plane.
- AXIOM C Canopies are only suitable for indoor applications.
- AXIOM C Canopies can reach a significant weight. In order to minimise the risk of injuries, the canopies should be installed by a minimum of 2 people.
- Suspension elements such as threaded rods, anchors or any other element not included in the kit must be chosen to ensure a safe installation and follow local regulations.
- It is recommended to assemble the canopy under the final ceiling location to avoid later movement.

Gloves supplied in the kit are used to prevent marking the components during installation. They are NOT meant to be used as safety gloves.

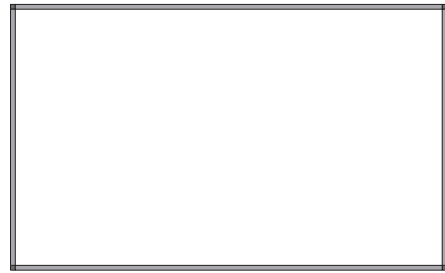
2

THE CHASSIS ON THE FLOOR

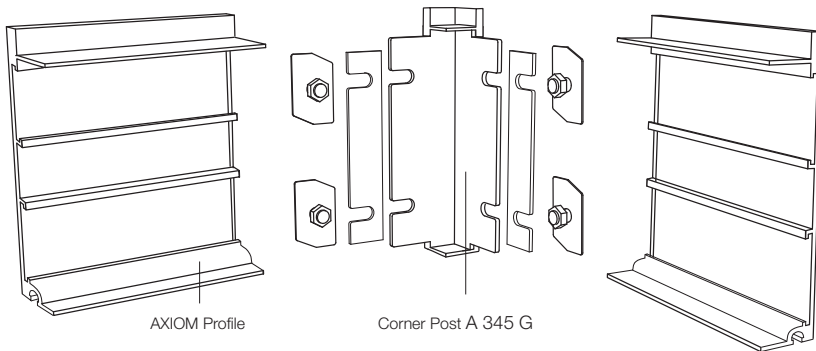
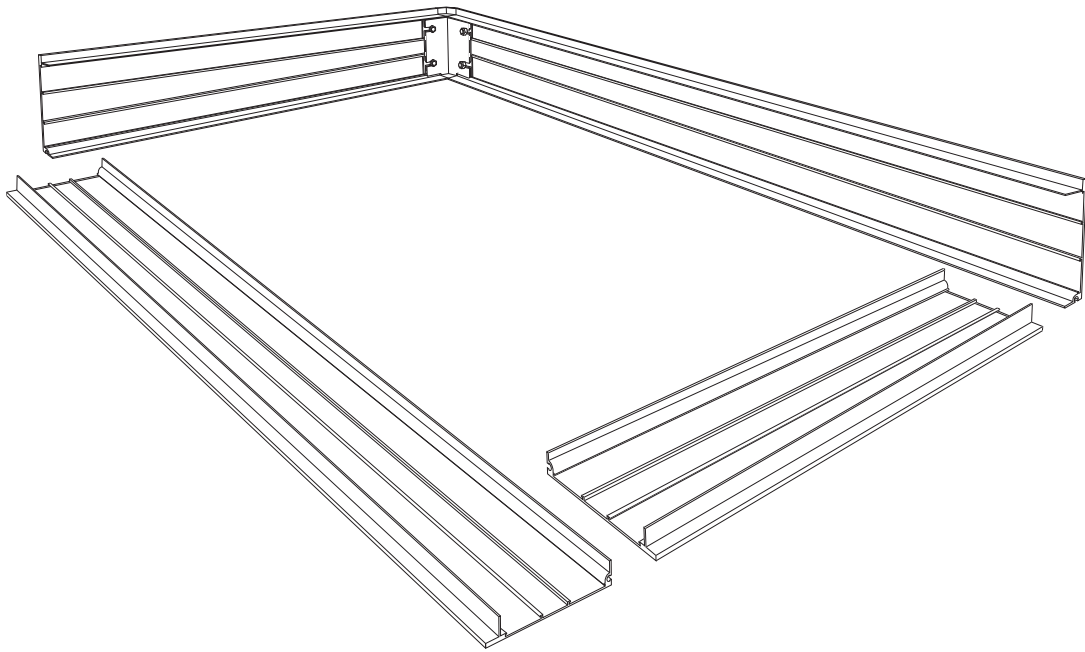


AXIOM Profile Vector/Tegular 55 14 11 G

The 1.8 x 3.0m module is used as an example only

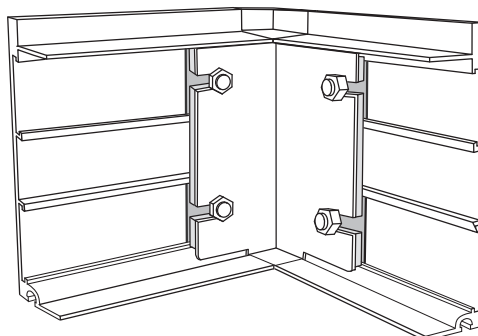


4 AXIOM profiles
4 Corner posts



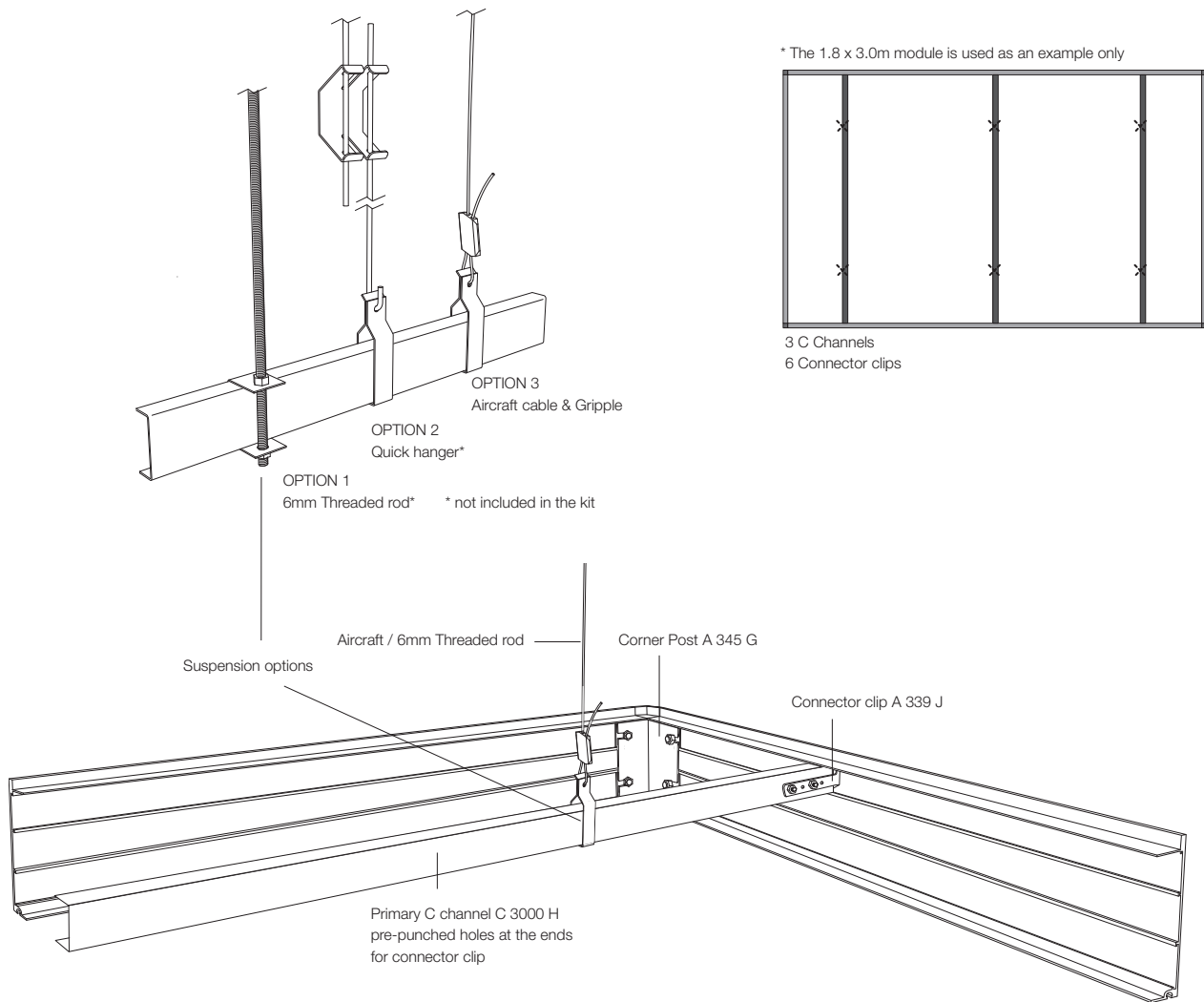
AXIOM Profile

Corner Post A 345 G

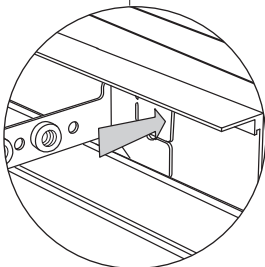
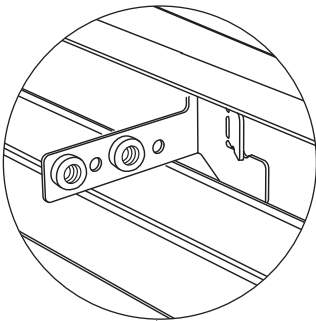


3

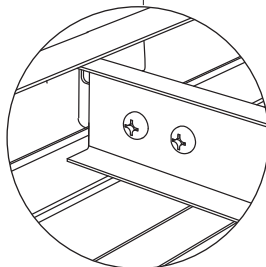
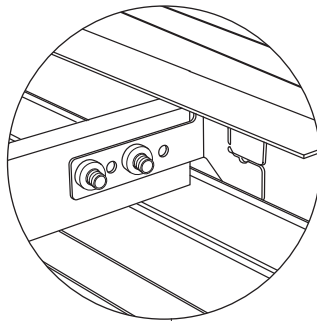
THE PRIMARY GRID ON THE FLOOR



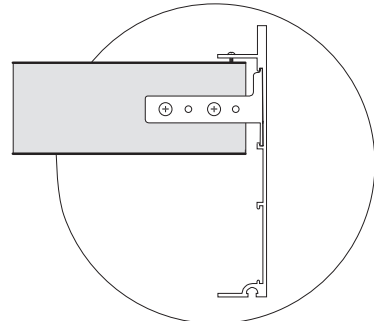
1 AXIOM Universal T bar
connector clip A 339 J



2



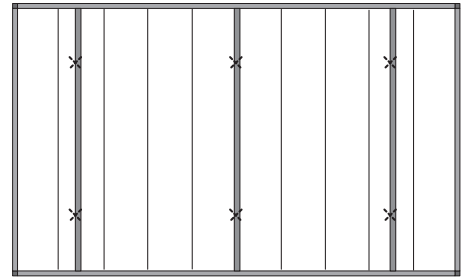
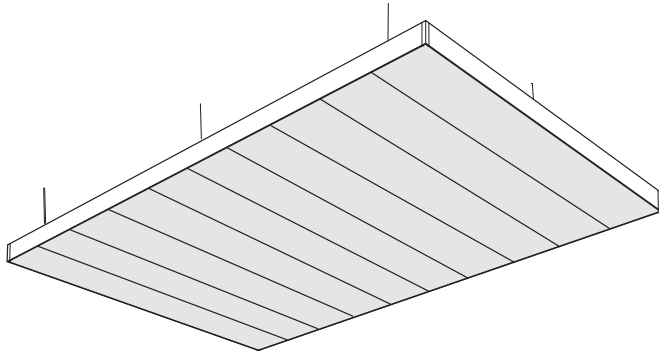
3



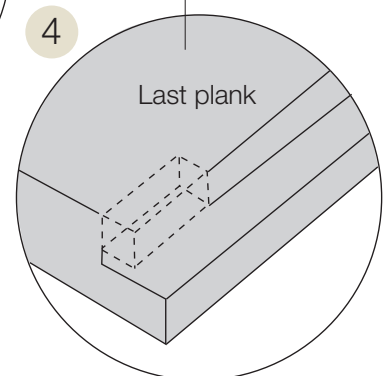
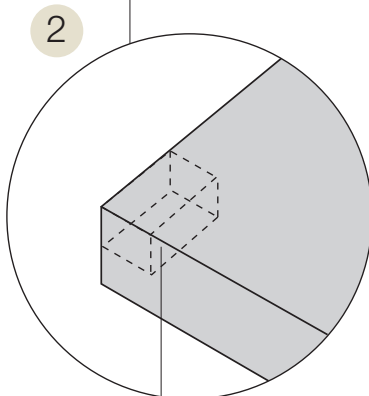
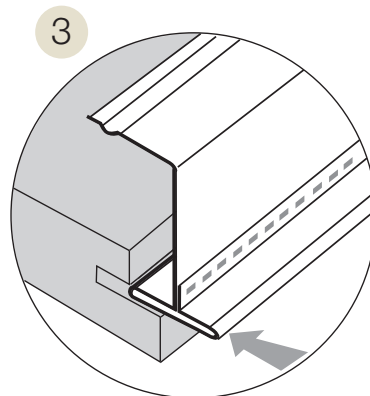
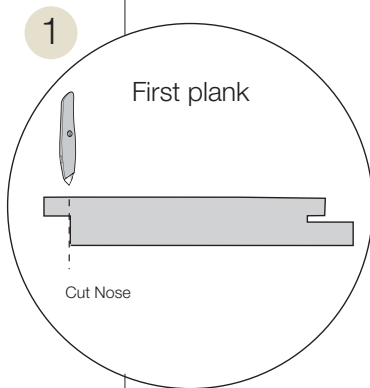
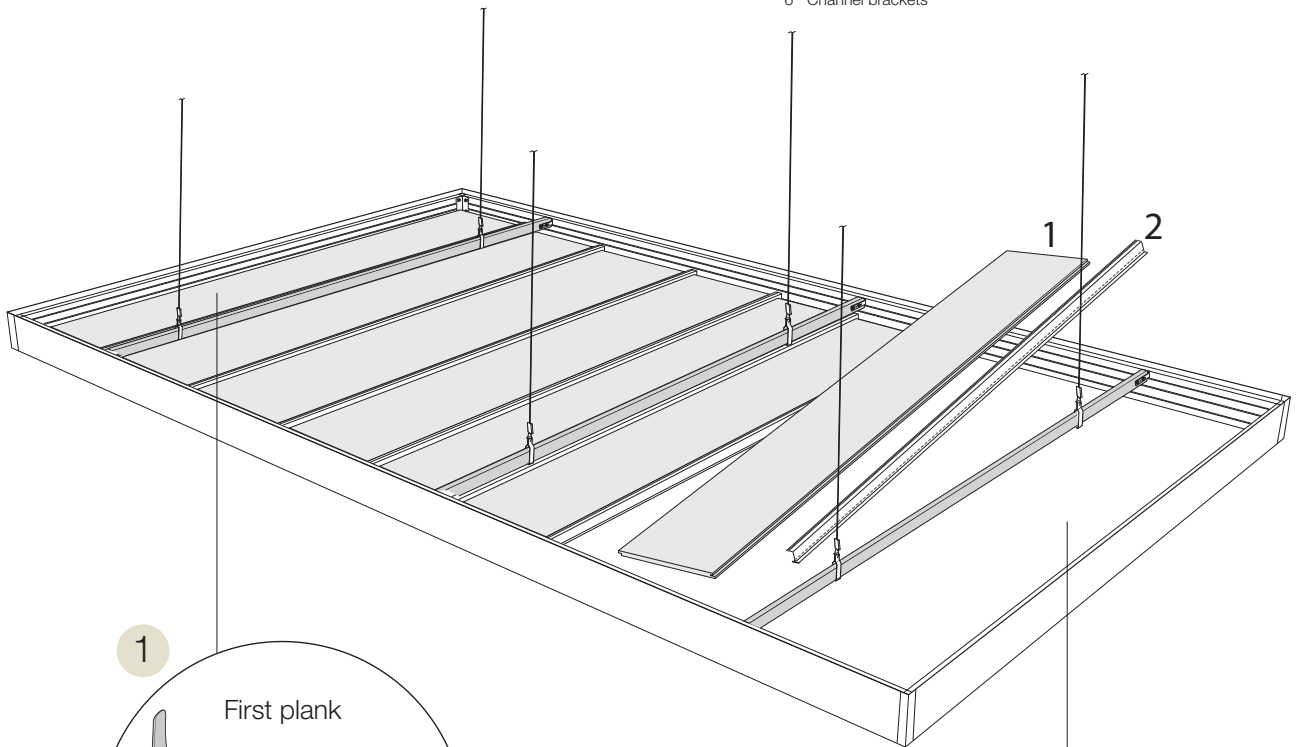
4

THE PLANKS & Z-PROFILES IN THE AIR

The 1.8 x 3.0m module is used as an example only



- 9 Deep Z - 30.5 mm
- 6 Clamps for C Channel
- Set of screws
- 6 Channel brackets



Cut off for Corner Post screws

PHYSICAL DATA

Material

Extruded aluminium profiles.

AXIOM C is made from extruded aluminium, offers better registration, handling capability and finished appearance compared with standard cold-rolled steel.

Surface finish

Polyester powder coated

Armstrong Global White

Warranty

For more information, please contact your local Armstrong office or consult the Armstrong website.

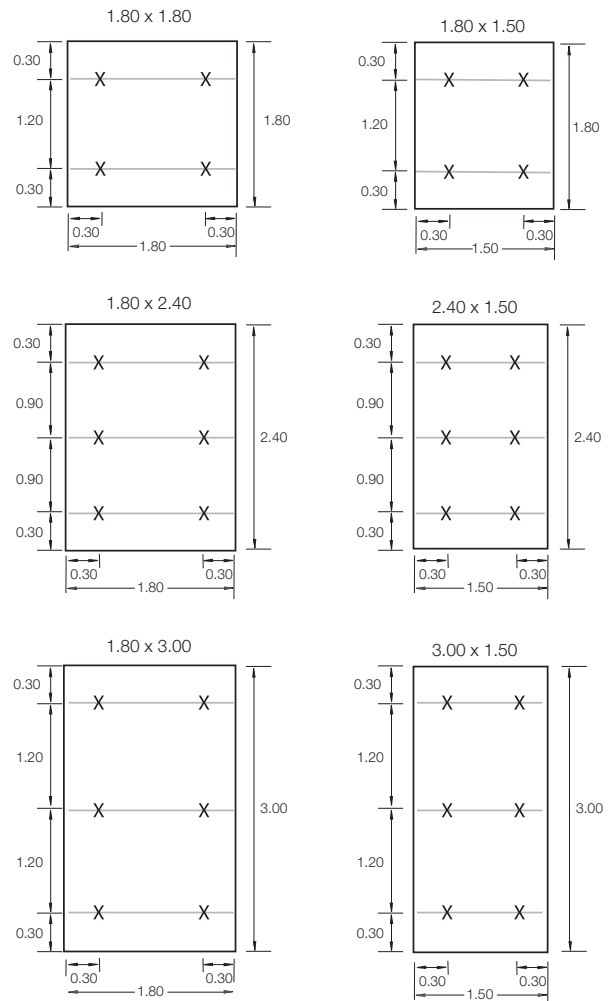
6 pre-packed, ready-to-assemble AXIOM C Canopy SL2 planks kit will be available

Module	Item No.
1800 x 1500	AX 22 36G SL2
2400 x 1500	AX 22 46G SL2
3000 x 1500	AX 22 56G SL2
1800 x 1800	AX 22 33G SL2
2400 x 1800	AX 22 43G SL2
3000 x 1800	AX 22 53G SL2

Ceiling tiles SL2 Planks are NOT included in the kit.

Max. tile load : 10kg/m²

For further information on customized size modules please contact Armstrong Technical Sales.



Advisory note

All photographic and design elements supplied in this brochure do not necessarily reflect any recommendation by any of the companies named in this brochure as to the proper use or recommended methods of installation of suspended ceilings and are supplied only as informative material.

For technical reasons in printing, differences may appear between colours printed in this brochure and the actual product. The choice of colours should always be made from a sample of the product.

All statements and technical information contained in this brochure, or any publication of the companies named in this brochure, relating to Armstrong ceilings are based on results obtained under laboratory test conditions. It is the responsibility of the user to verify with the seller of the products in writing that such statements and information are appropriate to the specific use intended.

Sales of the products and liability of the selling companies are in accordance with the terms and conditions of sale of the selling company.

All product specifications are subject to modifications without prior notice.

CENTRAL EUROPE NORTH

(DK/EE/FIN/IS/LT/LV/N/PL/S)

Latvia : www.armstrongceilings.com/latvia

Lithuania : www.armstronglubos.lt

Norway : www.armstrongceilings.com/norway

Poland : www.armstrongsufity.pl

Sweden : www.armstrongceilings.com/sweden

CENTRAL EUROPE SOUTH

(AL/BA/BG/CZ/HR/HU/KO/MD/ME/MK/RO/RS/SK/SI)

Czech Republic : www.armstrongstropnipodhledy.cz

Hungary : www.armstrongalmennyezet.hu

Romania : www.armstrongtavane.ro

Serbia : www.armstrongplafoni.rs

Slovakia : www.armstrongceilings.com/slovakia

Slovenia : www.armstrongstropnisistemi.si

www.armstrongceilings.eu

Armstrong[®]
CEILING SOLUTIONS