



Origins™

ALL PLYWOOD CONSTRUCTION

Armstrong's Origins™ Series combines the durability and value of our Genuine Allwood™ construction with the environmental benefits of sustainable, low emitting materials.

The hardwood plywood used to construct our Origins Series cabinets utilizes PureBond®, one of the latest advances in sustainable wood processing. PureBond utilizes a urea-formaldehyde free, soy based adhesive in the plywood manufacturing process.

While all Armstrong Cabinet products are a safe and sustainable choice for cabinets, an Origins Series cabinet combined with any of our solid wood center panel door styles* offers the best available choice for your most demanding projects that require cabinets made from no added urea formaldehyde (NAUF) materials.

Using Origins Series cabinets may contribute to the U.S. Green Building Council's Leadership in Energy and Environmental Design (LEED®) standards, for LEED NC EQ Credit 4.4, Low-Emitting Materials: Composite Wood. Additionally, an Origins Series cabinet and any of our solid wood center panel doors styles can satisfy the emissions standards of the California Air Resources Board (CARB) Phase 2 regulations which go into effect in January 2010.

In addition to outstanding sustainable benefits, choose Origins for:

- Incredible durability and strength an all plywood box construction
- Superior moisture resistance
- Ease of installation and maintenance

Armstrong®

CABINETS



PureBond® is a proprietary technology of Columbia Forest Products,
columbiaforestproducts.com

ORIGINS SPECIFICATIONS

June 2009

ORIGINS™ SERIES CABINET SPECIFICATIONS

- FRONT FRAME:** 3/4" Thick no added urea formaldehyde kiln dried solid hardwood. Mortise and tenon or bore and dowel construction frame joinery reinforced with glue and nail. Stiles 1 1/2" wide. Mulls 3" wide. Rails 1 3/4" wide. Stiles and top and bottom rails dadoed to receive ends, tops and bottoms.
- END PANELS:** Nominal 1/2" thick (12mm) no added urea formaldehyde multi-ply birch veneer plywood dadoed to receive tops and bottoms. End panels are inserted into dado in face frame and recessed 3/16".
- TOP/BOTTOM PANELS:** Nominal 1/2" thick (12mm) no added urea formaldehyde multi-ply hardwood plywood. Tops and bottoms set into grooved end panels, front rails and hang rails, glued and stapled. Bottoms are supported at rear of base cabinets by nominal 1/2" thick no added urea formaldehyde multi-ply hardwood plywood.
- HANGING RAILS:** Wall cabinets have nominal 3/4" thick (18mm) x 3" high no added urea formaldehyde multi-ply hardwood plywood, running full cabinet length at the top and bottom. Base cabinets have a nominal 1/2" thick (12mm) x 3" high no added urea formaldehyde multi-ply hardwood plywood hang rail at the top.
- BACK PANEL:** Nominal 1/8" thick (3mm), no added urea formaldehyde hardwood plywood. Securely glued and stapled to end panels and hang rails.
- SHELVES:** Nominal 5/8" thick (15mm) no added urea formaldehyde multi-ply hardwood plywood, 10 7/8" deep with hardwood veneer banded front edge. Shelves are adjustable in all standard wall and base cabinets.
- TOE KICK:** Nominal 1/2" thick (12mm) no added urea formaldehyde multi-ply hardwood plywood.
- BASE CORNER BRACES:** High impact, injection molded plastic.
- DRAWERS:** Nominal 1/2" thick (12 mm) no added urea formaldehyde solid wood front, back and sides. Nominal 1/4" thick (6mm) no added urea formaldehyde multi-ply hardwood plywood drawer bottoms are inserted into dado in front, back and sides. All drawer parts glued and stapled together.
- DRAWER GUIDES:** High quality epoxy coated steel, Cushion-Tec™, side mounted guides, self adjusting in mounting brackets. Built-in stop, self-closing and stay-closed features with a 100 lb. rated load capacity.
- HINGES:**
Standard: Heavy duty, high quality steel, concealed 6-way adjustable hinge with self-closing feature.
Optional: High quality steel wrap-around hinge with self closing feature. (Standard reveal door styles only)
- FINISH:** Furniture quality protective finish system on doors, drawer fronts, front frames and veneer plywood end panels consisting of sanding, stain, catalyzed sealer and catalyzed clear top coats. All interior end, top, bottom and back panels are finished plywood with clear sealer and top coat.

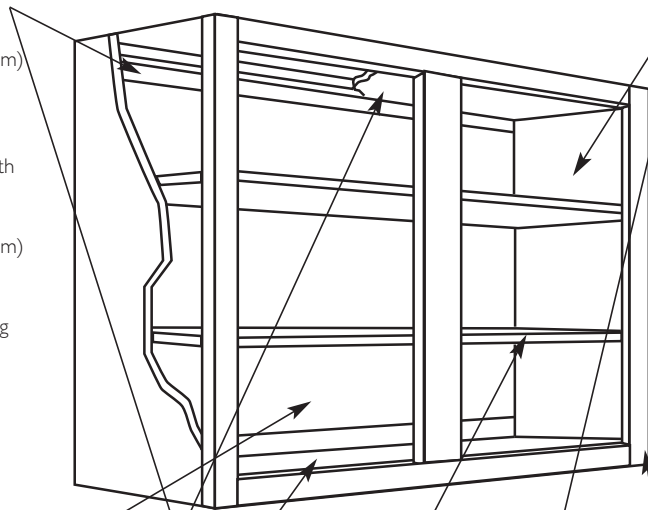
*Solid wood center panel door styles include: Arborcrest™, Bali™, Calibra™, Coronet™, LaCerise™, LaCerise™ Arch, Leighton™, Moderno™, Olympus™, Olympus™ Arch, Sedona™ and Town&Country™.



ORIGINS™ SERIES CABINET SPECIFICATIONS

HANGING RAILS -

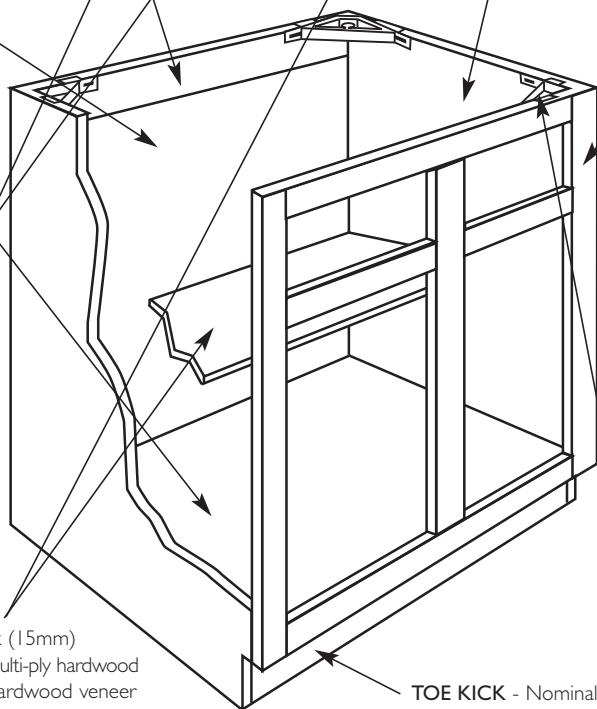
Wall cabinets have nominal 3/4" thick (18mm) x 3" high no added urea formaldehyde multi-ply hardwood plywood, running full cabinet length at the top and bottom. Base cabinets have a nominal 1/2" thick (12mm) x 3" high no added urea formaldehyde multi-ply hardwood plywood hang rail at the top.



END PANELS - Nominal 1/2" thick (12mm) no added urea formaldehyde multi-ply birch veneer plywood dadoed to receive tops and bottoms. End panels are inserted into dado in face frame and recessed 3/16".

BACK PANELS -

Nominal 1/8" thick (3mm), no added urea formaldehyde hardwood plywood. Securely glued and stapled to end panels and hang rails.



TOP/BOTTOM PANELS -

Nominal 1/2" thick (12mm) no added urea formaldehyde multi-ply hardwood plywood. Tops and bottoms set into grooved end panels, front rails and hang rails, glued and stapled. Bottoms are supported at rear of base cabinets by nominal 1/2" thick no added urea formaldehyde multi-ply hardwood plywood.

FRONT FRAME - 3/4" thick no added urea formaldehyde kiln dried solid hardwood. Mortise and tenon or bore and dowel construction frame joinery reinforced with glue and nail. Stiles 1 1/2" wide. Mulls 3" wide. Rails 1 3/4" wide. Stiles and top and bottom rails dadoed to receive ends, tops and bottoms.

SHELVES -

Nominal 5/8" thick (15mm) no added urea formaldehyde multi-ply hardwood plywood, 10 7/8" deep with hardwood veneer banded front edge. Shelves are adjustable in all standard wall and base cabinets.

BASE CORNER BRACES - High impact, injection molded plastic.

TOE KICK - Nominal 1/2" thick (12mm) no added urea formaldehyde multi-ply hardwood plywood.

DRAWERS - Nominal 1/2" thick (12 mm) no added urea formaldehyde solid wood front, back and sides. Nominal 1/4" thick (6mm) no added urea formaldehyde multi-ply hardwood plywood drawer bottoms are inserted into dado in front, back and sides. All drawer parts glued and stapled together.

DRAWER GUIDES - High quality epoxy coated steel, Cushion-Tec™, side mounted guides, self adjusting in mounting brackets. Built-in stop, self-closing and stay-closed features with a 100 lb. rated load capacity.

HINGES - (Standard on all doors) Heavy duty, high quality steel, concealed 6-way adjustable hinge with self-closing feature. (Optional) High quality steel wrap-around hinge with self closing feature (available on standard reveal door styles only).

*Solid wood center panel door styles include: Arborcrest™, Bali™, Calibra™, Coronet™, LaCerise™, LaCerise™ Arch, Leighton™, Moderno™, Olympus™, Olympus™ Arch, Sedona™ and Town&Country™.

ORIGINS SPECIFICATIONS

June 2009



www.armstrong.com

Armstrong®

CABINETS

www.armstrong.com



©2009 AWI Licensing Company

Printed in the United States of America

6/09

ORIGINSSPEC